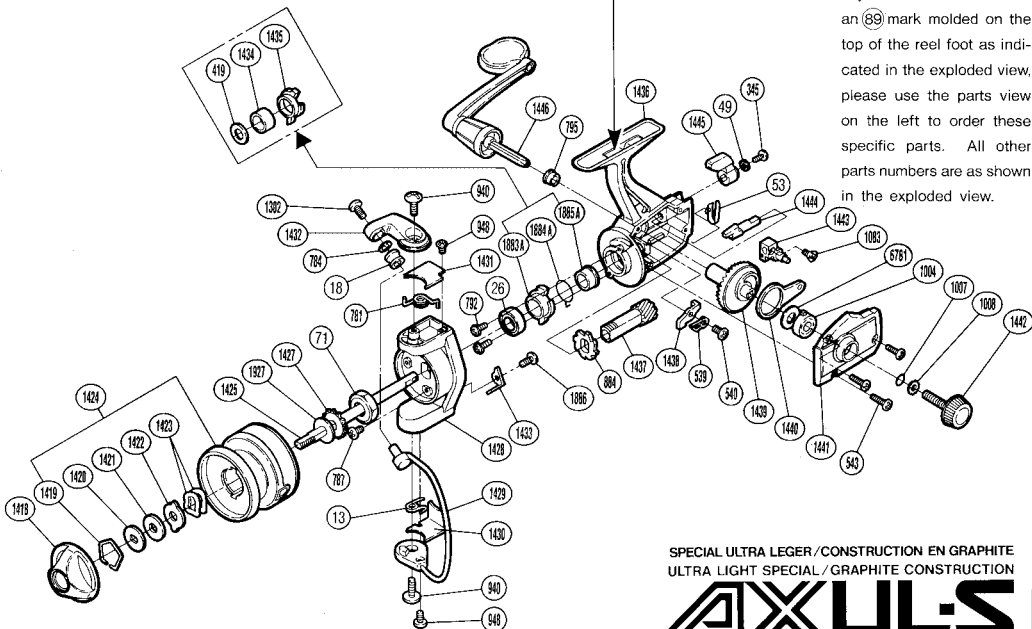


※Please look here for (89) mark here  
(e.g. (89) (MC)-JAPAN)

※If your reel does not have an (89) mark molded on the top of the reel foot as indicated in the exploded view, please use the parts view on the left to order these specific parts. All other parts numbers are as shown in the exploded view.



SPECIAL ULTRA LEGER / CONSTRUCTION EN GRAPHITE  
ULTRA LIGHT SPECIAL / GRAPHITE CONSTRUCTION

**AXULS**

89

RD No.	PARTS NAMES	RD No.	PARTS NAMES	RD No.	PARTS NAMES
0013	Lever Spring	1008	Handle Lock Washer	1438	Anti-Reverse Pawl
0018	Line Roller	1083	Slider Retainer Screw	1439	Drive Gear
0026	Ball Bearing	1302	Line Roller Screw	1440	Oscillating Arm
0049	Lock Washer	1418	Drag Knob	1441	Side Cover
0053	Anti-Reverse Cam Spring	1419	Drag Washers Retainer	1442	Handle Screw Cap
0071	Rotor Nut	1420	Key Washer	1443	Oscillating Block
0345	Anti-Reverse Lever Screw	1421	Drag Washer	1444	Anti-Reverse Cam
0539	Anti-Reverse Pawl Spring	1422	Eared Washer	1445	Anti-Reverse Lever
0540	Anti-Reverse Pawl Screw	1423	Drag Spring	1446	Handle Assembly
0543	Side Cover Screw	1424	Spool Assembly	1883A	Anti-Reverse Lock Out (new)
0781	Bail Spring	1425	Main Shaft	1884A	Anti-Reverse Lock Out Spring (new)
0784	Line Roller Washer	1427	Spool Support	1885A	Pinion Spacer (new)
0787	Nut Lock Screw	1428	Rotor	1886	Bail Trip Lever Screw
0792	Bearing Retainer Screw	1429	Bail Assembly	1927	Spool Washer
0795	Bushing (B)	1430	Bail Trip Cover	6781	Drive Gear Washer
0884	Anti-Reverse Ratchet	1431	Bail Spring Cover		
0940	Bail Trip Cam Screw	1432	Bail Arm		
0948	Bail Trip Cover Screw	1433	Bail Trip Lever	0419	Bushing Washer
1004	Bushing (A)	1436	Body	1434	Pinion Spacer
1007	Lock Washer Retainer	1437	Pinion Gear	1435	Anti-Reverse Lock Out

(110903)