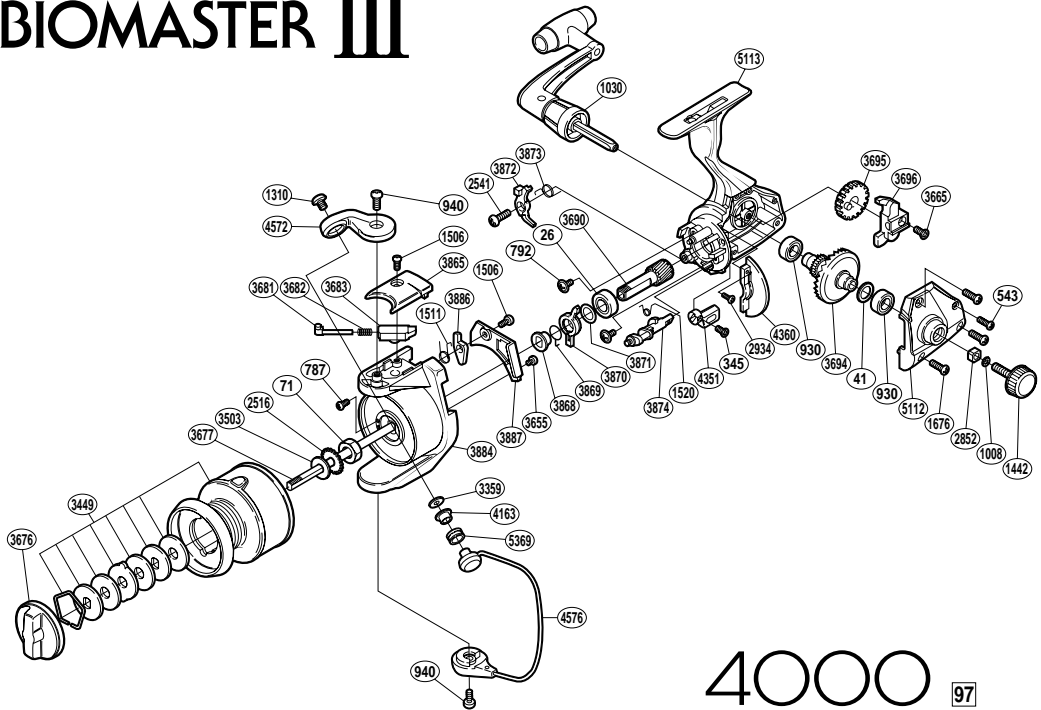


# BIOMASTER III



4000 97

RD No.	PARTS NAMES	RD No.	PARTS NAMES	RD No.	PARTS NAMES
0026	Ball Bearing	2541	Anti-Reverse Pawl Screw	3868	Lock Out Spring Holder
0041	Drive Gear Washer	2852	Handle Screw Lock	3869	Anti-Reverse Lock Out Spring
0071	Rotor Nut	2934	Flange Screw	3870	Anti-Reverse Lock Out
0345	Anti-Reverse Lever Screw	3359	Line Roller Washer	3871	Bushing Washer
0543	Side Cover Screw (small)	3449	Spool Assembly	3872	Anti-Reverse Pawl
0787	Nut Lock Screw	3503	Spool Washer	3873	Anti-Reverse Pawl Spring
0792	Bearing Retainer Screw	3655	Cover Screw	3874	Anti-Reverse Cam
0930	Ball Bearing	3665	Slider Retainer Screw	3884	Rotor
0940	Multi-Purpose Screw	3676	Drag Knob	3886	Bail Trip Lever
1008	Handle Lock Washer	3677	Main Shaft	3887	Counterbalance Cover
1030	Handle Assembly	3681	Bail Spring Guide (A)	4163	Line Roller Bushing
1310	Line Roller Screw	3682	Bail Spring	4351	Anti-Reverse Lever
1442	Handle Screw Cap	3683	Bail Spring Guide (B)	4360	Side Cover Flange
1506	Multi-Purpose Screw	3690	Pinion Gear	4572	Bail Arm
1511	Lever Spring	3694	Drive Gear	4576	Bail Assembly
1520	Anti-Reverse Cam Spring	3695	Oscillating Gear	5112	Side Cover
1676	Side Cover Screw (large)	3696	Oscillating Slider	5113	Body
2516	Spool Support	3865	Bail Spring Cover	5369	Line Roller