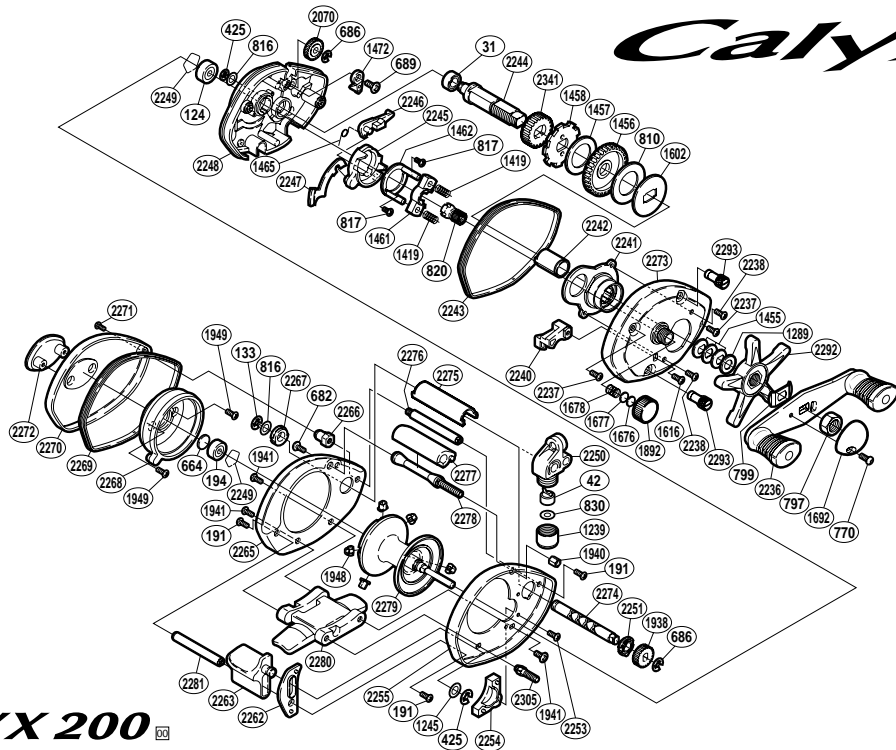


Calyx



BNT No.	PARTS NAMES	BNT No.	PARTS NAMES	BNT No.	PARTS NAMES
0031	Ball Bearing	1465	Clutch Pawl Spring	2251	Worm Bushing (A)
0042	Line Guide Pawl	1472	Anti-Reverse Pawl	2253	Drive Shaft Cover Screw
0124	Ball Bearing	1602	Key Washer	2254	Drive Shaft Cover
0133	Worm Shaft Retainer	1616	Return Pin Guide Screw	2255	A-Side Frame
0191	Multi-Purpose Screw	1676	Spool Tension Spacer (B)	2262	Clutch Button Guide
0194	Ball Bearing	1677	Spool Tension Spacer (A)	2263	Quick-Fire II Clutch Button
0425	"E" Lock	1678	Spool Tension Spring	2265	B-Side Frame
0664	Spacer (B)	1692	Handle Nut Plate	2266	B-Side Frame Nut
0682	Frame Bar (A) Screw	1892	Cast Control Cap	2267	Worm Bushing (B)
0686	"E" Lock	1938	Idle Gear (C)	2268	Brake Case
0689	Anti-Reverse Pawl Screw	1940	Frame Nut	2269	B-Side Seal
0770	Handle Nut Plate Screw	1941	Stand Screw	2270	Left Side Plate
0797	Handle Nut	1948	Brake Collar	2271	Left Side Plate Screw
0799	Friction Washer	1949	I.D.Plate Screw	2272	Left Side I.D.Plate
0810	Drag Washer	2070	Idle Gear (B)	2273	Right Side Plate
0816	Shaft Washer	2236	Handle Assembly	2274	Worm Shaft
0817	Clutch Cam Retainer Screw	2237	Right Side Plate Screw	2275	Level Wind Guard
0820	Pinion Gear	2238	Bush Plate Screw	2276	Stabilizer Bar
0830	Spacer (optional)	2240	Return Pin Guide	2277	Thumb Rest
1239	Pawl Cap	2241	Roller Clutch Assembly	2278	Frame Bar (A)
1245	Clutch Bar Support Spacer	2242	Roller Clutch Inner Tube	2279	Spool Assembly
1289	Star Drag Spacer	2243	A-Side Seal	2280	Stand
1419	Yoke Spring	2244	Drive Shaft	2281	Clutch Button Support Bar
1455	Drag Spring Washer	2245	Clutch Cam	2292	Star Drag
1456	Drive Gear	2246	Clutch Pawl	2293	Right Side Plate Nut
1457	Drive Shaft Washer (B)	2247	Clutch Plate	2305	Stand Bolt
1458	Anti-Reverse Ratchet	2248	Set Plate	2341	Idle Gear (A)
1461	Yoke	2249	Bearing Retainer		
1462	Clutch Cam Retainer	2250	Line Guide		

(110901)

CYX 200