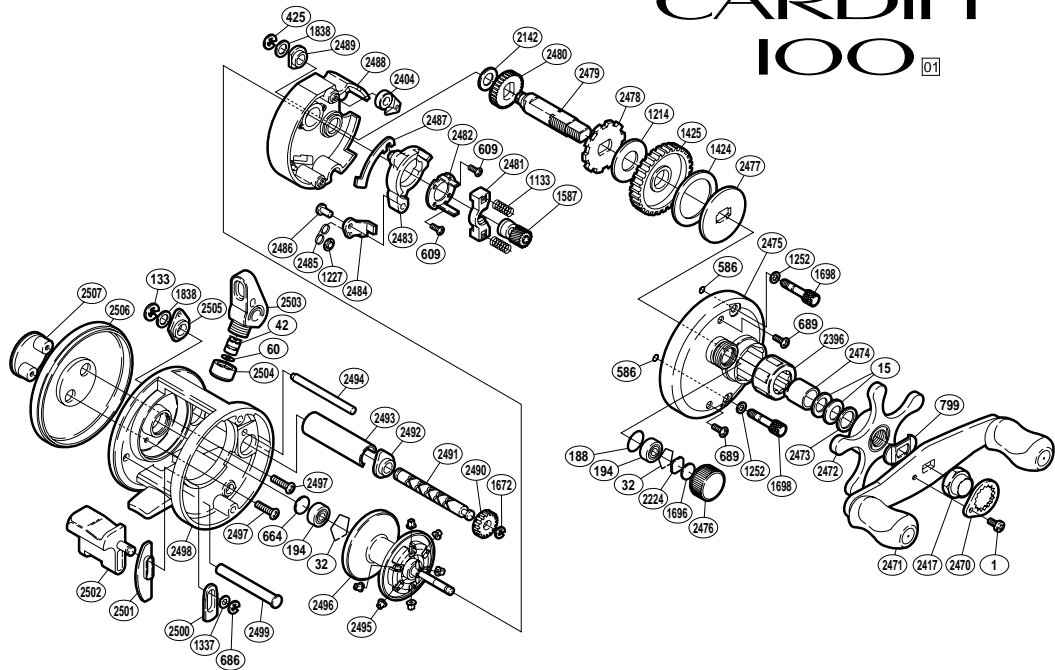


# CARDIFF™

## 100 01



BNT No.	PARTS NAMES	BNT No.	PARTS NAMES	BNT No.	PARTS NAMES
0001	Handle Nut Plate Screw	1696	Cast Control Spacer (B)	2486	Clutch Pawl Pin
0015	Drag Spring Washer	1698	Right Side Plate Bolt	2487	Clutch Plate
0032	Bearing Retainer	1838	Worm Shaft Spacer	2488	Set Plate
0042	Line Guide Pawl	2142	Idle Gear (A) Spacer	2489	Drive Shaft Bushing
0060	Spacer (optional)	2224	Spool Tension Spacer (A)	2490	Idle Gear (C)
0133	Worm Shaft Retainer	2396	Roller Clutch Bearing	2491	Worm Shaft
0188	"O" Ring	2404	Anti-Reverse Pawl	2492	Worm Bushing (A)
0194	Ball Bearing	2417	Handle Nut	2493	Level Wind Guard
0425	"E" Lock	2470	Handle Nut Plate	2494	Level Wind Guide
0586	Bolt Retainer	2471	Handle Assembly	2495	Brake Collar
0609	Clutch Cam Screw	2472	Star Drag	2496	Spool Assembly
0664	Spacer (B)	2473	Star Drag Spacer	2497	ID Plate Screw
0686	"E" Lock	2474	Roller Clutch Inner Tube	2498	One-Piece Frame
0689	Set Plate Screw	2475	Right Side Plate	2499	Clutch Bar Support
0799	Friction Washer	2476	Cast Control Cap	2500	Clutch Bar Guide (A)
1133	Yoke Spring	2477	Key Washer	2501	Clutch Bar Guide (B)
1214	Drag Washer (A)	2478	Anti-Reverse Ratchet	2502	Quick-Fire II Clutch Bar
1227	Clutch Pawl Spring Retainer	2479	Drive Shaft	2503	Line Guide
1252	Right Side Plate Bolt Washer	2480	Idle Gear (A)	2504	Pawl Cap
1337	Clutch Bar Support Spacer	2481	Yoke	2505	Worm Bushing (B)
1424	Drag Washer (C)	2482	Clutch Cam Retainer	2506	Left Side Plate
1425	Drive Gear	2483	Clutch Cam	2507	Left Side ID Plate
1587	Pinion Gear	2484	Clutch Pawl		
1672	"E" Lock	2485	Clutch Pawl Spring		