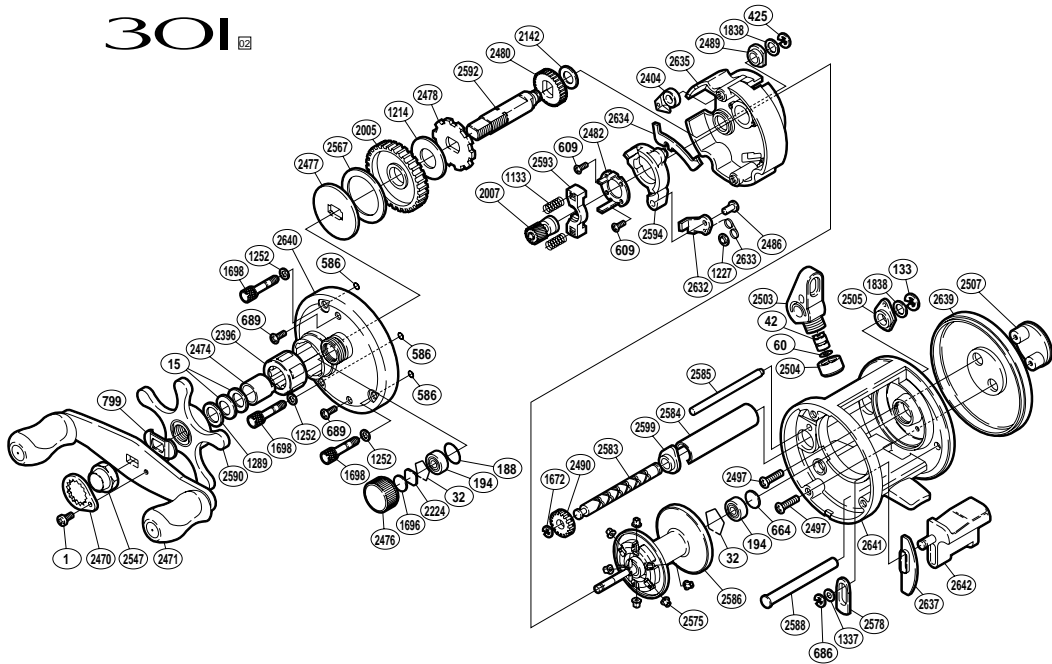


CARDIFF™

301



BNT No.	PARTS NAMES	BNT No.	PARTS NAMES	BNT No.	PARTS NAMES
0001	Handle Nut Plate Screw	1838	Worm Shaft Spacer	2567	Drag Washer (C)
0015	Drag Spring Washer	2005	Drive Gear	2575	Brake Collar
0032	Bearing Retainer	2007	Pinion Gear	2578	Clutch Bar Guide (A)
0042	Line Guide Pawl	2142	Idle Gear (A) Spacer	2583	Worm Shaft
0060	Spacer (optional)	2224	Spool Tension Spacer (A)	2584	Level Wind Guard
0133	Worm Shaft Retainer	2396	Roller Clutch Bearing	2585	Level Wind Guide
0188	"O" Ring	2404	Anti-Reverse Pawl	2586	Spool Assembly
0194	Ball Bearing	2470	Handle Nut Plate	2588	Clutch Bar Support
0425	"E" Lock	2471	Handle Assembly	2590	Star Drag
0586	Bolt Retainer	2474	Roller Clutch Inner Tube	2592	Drive Shaft
0609	Clutch Cam Screw	2476	Cast Control Cap	2593	Yoke
0664	Spacer (B)	2477	Key Washer	2594	Clutch Cam
0686	"E" Lock	2478	Anti-Reverse Ratchet	2599	Worm Bushing (A)
0689	Set Plate Screw	2480	Idle Gear (A)	2632	Clutch Pawl
0799	Friction Washer	2482	Clutch Cam Retainer	2633	Clutch Pawl Spring
1133	Yoke Spring	2486	Clutch Pawl Pin	2634	Clutch Plate
1214	Drag Washer (A)	2489	Drive Shaft Bushing	2635	Set Plate
1227	Clutch Pawl Spring Retainer	2490	Idle Gear (C)	2637	Clutch Bar Guide (B)
1252	Left Side Plate Bolt Washer	2497	ID Plate Screw	2639	Right Side Plate
1289	Star Drag Spacer	2503	Line Guide	2640	Left Side Plate
1337	Clutch Bar Support Spacer	2504	Pawl Cap	2641	One-Piece Frame
1672	"E" Lock	2505	Worm Bushing (B)	2642	Quick-Fire II Clutch Bar
1696	Cast Control Spacer (B)	2507	Right Side ID Plate		
1698	Left Side Plate Bolt	2547	Handle Nut		