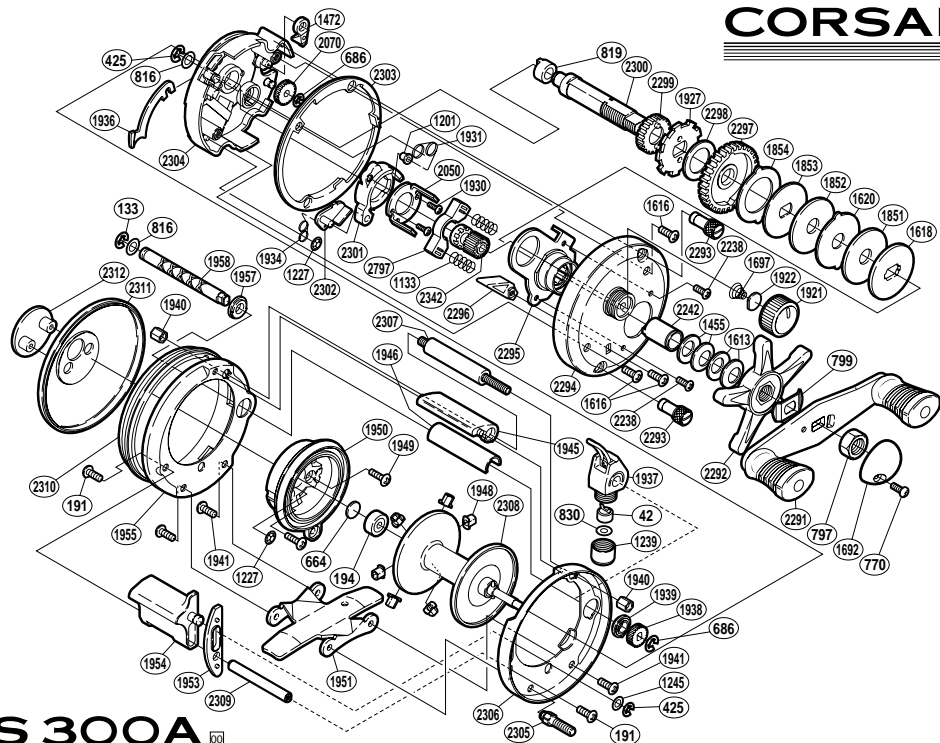


CORSAIR



BNT No.	PARTS NAMES	BNT No.	PARTS NAMES	BNT No.	PARTS NAMES
0042	Line Guide Pawl	1852	Drag Washer (B-2)	2070	Idle Gear (B)
0133	"E" Lock	1853	Key Washer (A)	2238	Bush Plate Screw
0191	Clutch Bar Support Screw	1854	Eared Washer (B-1)	2242	Roller Clutch Inner Tube
0194	Ball Bearing	1921	Cast Control Cap	2291	Handle Assembly
0425	"E" Lock	1922	Cast Control Spacer	2292	Star Drag
0664	Spacer B	1927	Anti-Reverse Ratchet	2293	Right Side Plate Nut
0686	"E" Lock	1930	Clutch Cam Screw	2294	Right Side Plate
0770	Handle Nut Plate Screw	1931	Retractor Spring	2295	Roller Clutch Assembly
0797	Handle Nut	1934	Clutch Pawl Spring	2296	Return Pin Guide
0799	Friction Washer	1936	Clutch Plate	2297	Drive Gear
0816	Shaft Washer	1937	Line Guide Assembly	2298	Drive Shaft Washer (B)
0819	Drive Shaft Bushing	1938	Idle Gear (C)	2299	Idle Gear (A)
0830	Spacer (optional)	1939	Worm Bushing (A)	2300	Drive Shaft
1133	Yoke Spring	1940	Frame Nut	2301	Clutch Cam
1201	Retractor Spring Collar	1941	Stand Screw	2302	Clutch Pawl
1227	Push Nut (SPN-2)	1945	Thumb Rest	2303	A-Side Seal
1239	Pawl Cap	1946	Level Wind Guard	2304	Set Plate
1245	Clutch Bar Support Spacer	1948	Brake Collar	2305	Stand Bolt
1455	Drag Spring Washer (H)	1949	Left Side Plate Screw	2306	Right Side Frame
1472	Anti-Reverse Pawl	1950	Brake Case	2307	Frame Bar
1613	Drag Spring Washer (L)	1951	Stand	2308	Spool Assembly
1616	Right Side Plate Screw	1953	Clutch Bar Guide	2309	Clutch Bar Support
1618	Key Washer (C)	1954	Quick-Fire II Clutch Bar	2310	B-Side Seal
1620	Eared Washer	1955	Left Side Frame	2311	Left Side Plate
1692	Handle Nut Plate	1957	Worm Bushing (B)	2312	Left Side I.D. Plate
1697	Spool Tension Spring	1958	Worm Shaft	2342	Pinion Gear
1851	Drag Washer (C)	2050	Clutch Cam Retainer	2797	Yoke