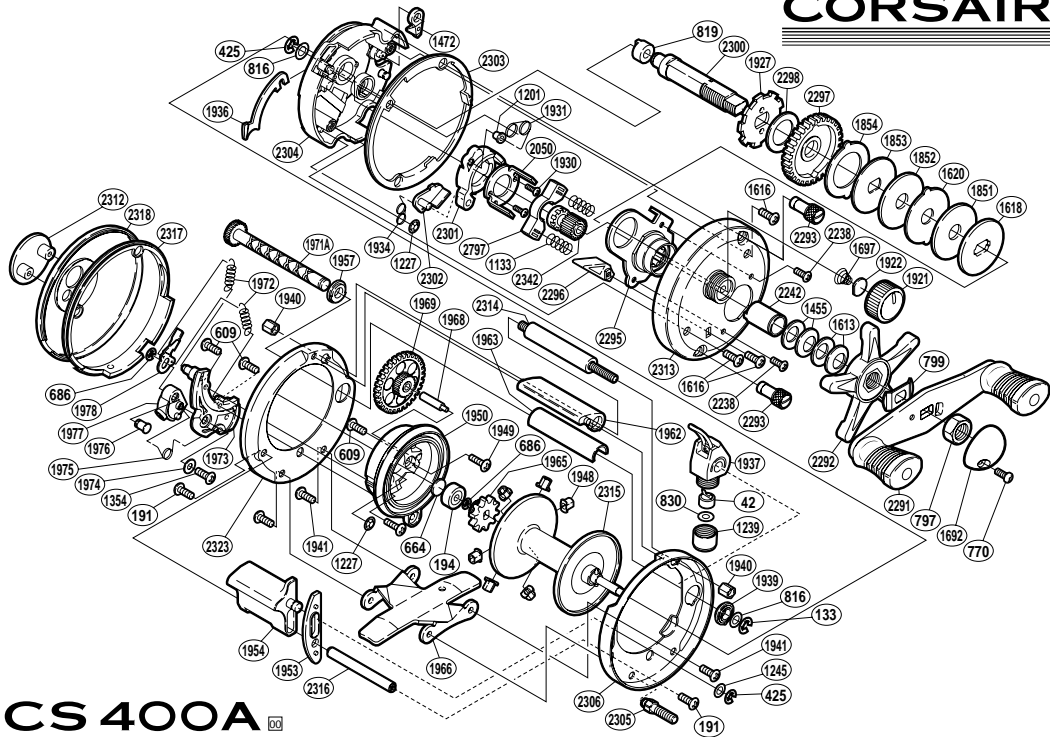


CORSAIR



BNT No.	PARTS NAMES	BNT No.	PARTS NAMES	BNT No.	PARTS NAMES
0042	Line Guide Pawl	1853	Key Washer (A)	1976	Click Shaft
0133	"E" Lock	1854	Eared Washer (B-1)	1977	Click Switch
0191	Clutch Bar Support Screw	1921	Cast Control Cap	1978	Click Pawl
0194	Ball Bearing	1922	Cast Control Spacer	2050	Clutch Cam Retainer
0425	"E" Lock	1927	Anti-Reverse Ratchet	2238	Bush Plate Screw
0609	Multi-Purpose Screw	1930	Clutch Cam Screw	2242	Roller Clutch Inner Tube
0664	Spacer B	1931	Retractor Spring	2291	Handle Assembly
0686	"E" Lock	1934	Clutch Pawl Spring	2292	Star Drag
0770	Handle Nut Plate Screw	1936	Clutch Plate	2293	Right Side Plate Nut
0797	Handle Nut	1937	Line Guide Assembly	2295	Roller Clutch Assembly
0799	Friction Washer	1939	Worm Bushing (A)	2296	Return Pin Guide
0816	Shaft Washer	1940	Frame Nut	2297	Drive Gear
0819	Drive Shaft Bushing	1941	Stand Screw	2298	Drive Shaft Washer (B)
0830	Spacer (optional)	1948	Brake Collar	2300	Drive Shaft
1133	Yoke Spring	1949	Left Side Plate Screw	2301	Clutch Cam
1201	Retractor Spring Collar	1950	Brake Case	2302	Clutch Pawl
1227	Push Nut (SPN-2)	1953	Clutch Bar Guide	2303	A-Side Seal
1239	Pawl Cap	1954	Quick-Fire II Clutch Bar	2304	Set Plate
1245	Clutch Bar Support Spacer	1957	Worm Bushing (B)	2305	Stand Bolt
1354	Click Switch Screw	1962	Thumb Rest	2306	Right Side Frame
1455	Drag Spring Washer (H)	1963	Level Wind Guard	2312	Left Side I.D. Plate
1472	Anti-Reverse Pawl	1965	Idle Gear (A)	2313	Right Side Plate
1613	Drag Spring Washer (L)	1966	Stand	2314	Frame Bar
1616	Right Side Plate Screw	1968	Idle Gear (B) Shaft	2315	Spool Assembly
1618	Key Washer (C)	1969	Idle Gear (B)	2316	Clutch Bar Support
1620	Eared Washer	1971A	Worm Shaft	2317	B-Side Seal
1692	Handle Nut Plate	1972	Click Spring	2318	Left Side Plate
1697	Spool Tension Spring	1973	Click Plate	2323	Left Side Frame
1851	Drag Washer (C)	1974	Click Switch Washer	2342	Pinion Gear
1852	Drag Washer (B-2)	1975	Click Switch Spring	2797	Yoke