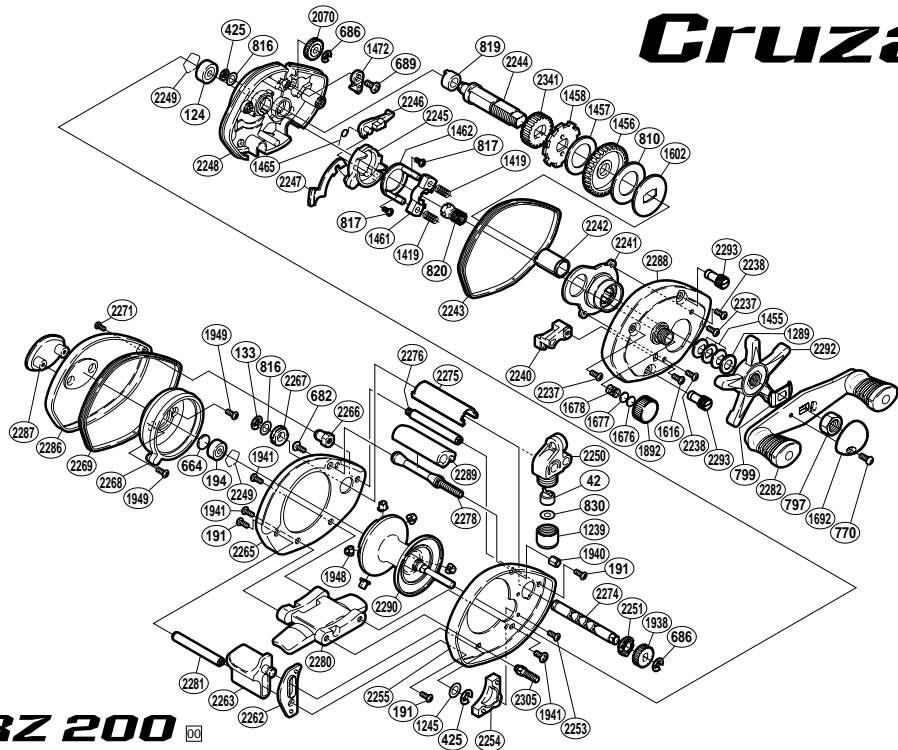


Cruzar



BNT No.	PARTS NAMES	BNT No.	PARTS NAMES	BNT No.	PARTS NAMES
0042	Line Guide Pawl	1465	Clutch Pawl Spring	2253	Drive Shaft Cover Screw
0124	Ball Bearing	1472	Anti-Reverse Pawl	2254	Drive Shaft Cover
0133	Worm Shaft Retainer	1602	Key Washer	2255	A-Side Frame
0191	Multi-Purpose Screw	1616	Return Pin Guide Screw	2262	Clutch Button Guide
0194	Ball Bearing	1676	Spool Tension Spacer (B)	2263	Quick-Fire II Clutch Button
0425	"E" Lock	1677	Spool Tension Spacer (A)	2265	B-Side Frame
0664	Spacer (B)	1678	Spool Tension Spring	2266	B-Side Frame Nut
0682	Frame Bar (A) Screw	1692	Handle Nut Plate	2267	Worm Bushing (B)
0686	"E" Lock	1892	Cast Control Cap	2268	Brake Case
0689	Anti-Reverse Pawl Screw	1938	Idle Gear (C)	2269	B-Side Seal
0770	Handle Nut Plate Screw	1940	Frame Nut	2271	Left Side Plate Screw
0797	Handle Nut	1941	Stand Screw	2274	Worm Shaft
0799	Friction Washer	1948	Brake Collar	2275	Level Wind Guard
0810	Drag Washer	1949	I.D.Plate Screw	2276	Stabilizer Bar
0816	Shaft Washer	2070	Idle Gear (B)	2278	Frame Bar (A)
0817	Clutch Cam Retainer Screw	2237	Right Side Plate Screw	2280	Stand
0819	Drive Shaft Bushing	2238	Bush Plate Screw	2281	Clutch Button Support Bar
0820	Pinion Gear	2240	Return Pin Guide	2282	Handle Assembly
0830	Spacer (optional)	2241	Roller Clutch Assembly	2286	Left Side Plate
1239	Pawl Cap	2242	Roller Clutch Inner Tube	2287	Left Side I.D.Plate
1245	Clutch Bar Support Spacer	2243	A-Side Seal	2288	Right Side Plate
1289	Star Drag Spacer	2244	Drive Shaft	2289	Thumb Rest
1419	Yoke Spring	2245	Clutch Cam	2290	Spool Assembly
1455	Drag Spring Washer	2246	Clutch Pawl	2292	Star Drag
1456	Drive Gear	2247	Clutch Plate	2293	Right Side Plate Nut
1457	Drive Shaft Washer (B)	2248	Set Plate	2305	Stand Bolt
1458	Anti-Reverse Ratchet	2249	Bearing Retainer	2341	Idle Gear (A)
1461	Yoke	2250	Line Guide		
1462	Clutch Cam Retainer	2251	Worm Bushing (A)		