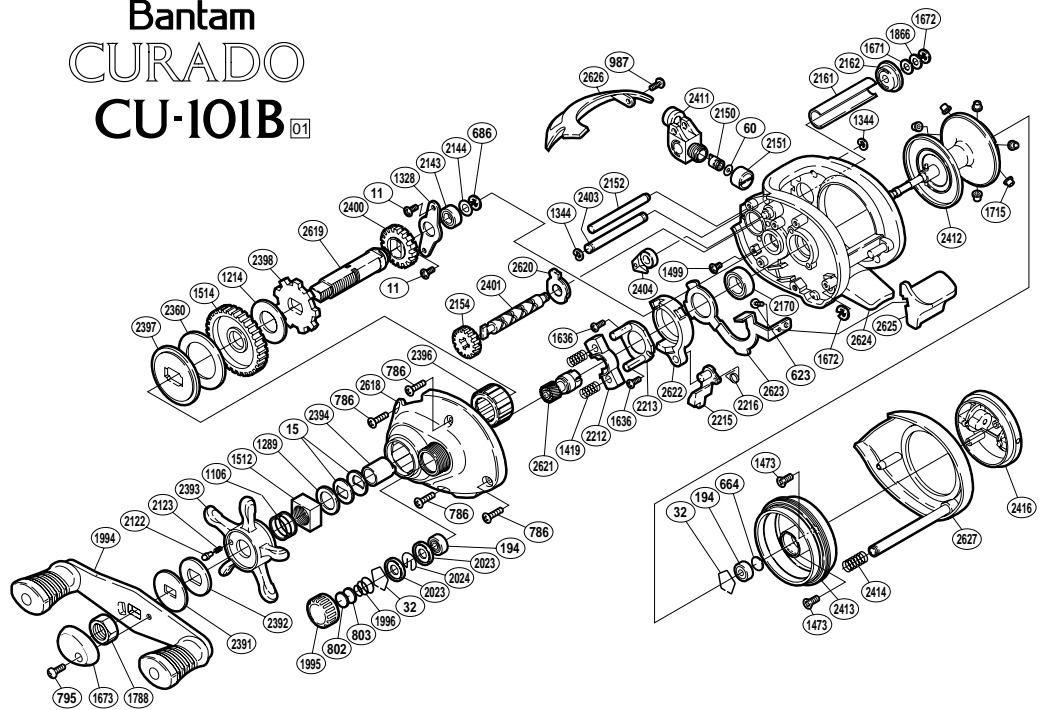


Bantam CURADO CU-101B 01



BNT No.	PARTS NAMES	BNT No.	PARTS NAMES	BNT No.	PARTS NAMES
0011	Drive Shaft Retainer Screw	1673	Handle Nut Plate	2392	Star Drag Click Plate
0015	Drag Spring Washer	1715	Brake Collar (red)	2393	Star Drag
0032	Bearing Retainer	1788	Handle Nut	2394	Roller Clutch Inner Tube
0060	Spacer (optional)	1866	Spacer	2396	Roller Clutch Bearing
0194	Ball Bearing	1994	Handle Assembly	2397	Key Washer
0623	Clutch Bar Screw	1995	Cast Control Cap	2398	Anti-Reverse Ratchet
0664	Spacer (B)	1996	Spool Tension Spring	2400	Idle Gear (A)
0686	"E" Lock	2023	Spool Shaft Clip Holder	2401	Worm Shaft
0786	Left Side Plate Screw	2024	Spool Shaft Clip	2403	Line Guard
0795	Handle Nut Plate Screw	2122	Click Pin	2404	Anti-Reverse Pawl
0802	Spool Tension Spacer (B)	2123	Click Spring	2411	Line Guide
0803	Spool Tension Spacer (A)	2143	Ball Bearing	2412	Spool Assembly
0987	Thumb Rest Screw	2144	Drive Shaft Washer	2413	Brake Case
1106	Star Drag Spring	2150	Line Guide Pawl	2414	Right Side Plate Spring
1214	Drag Washer (A)	2151	Pawl Cap	2416	Turnkey Dial
1289	Star Drag Spacer	2152	Level Wind Guide	2618	Left Side Plate
1328	Drive Shaft Retainer	2154	Idle Gear (C)	2619	Drive Shaft
1344	"C" Lock	2161	Level Wind Guard	2620	Worm Bushing (A)
1419	Yoke Spring	2162	Worm Bushing (B)	2621	Pinion Gear
1473	Brake Case Screw	2170	Ball Bearing	2622	Clutch Cam
1499	Clutch Plate Screw	2212	Yoke	2623	Clutch Plate
1512	Star Drag Nut	2213	Clutch Cam Retainer	2624	One-Piece Frame
1514	Drive Gear	2215	Clutch Pawl	2625	Quick-Fire II Clutch Bar
1636	Clutch Cam Screw	2216	Clutch Pawl Spring	2626	Thumb Rest
1671	Worm Shaft Washer (B)	2360	Drag Washer (C)	2627	Right Side Plate
1672	"E" Lock	2391	Friction Washer		