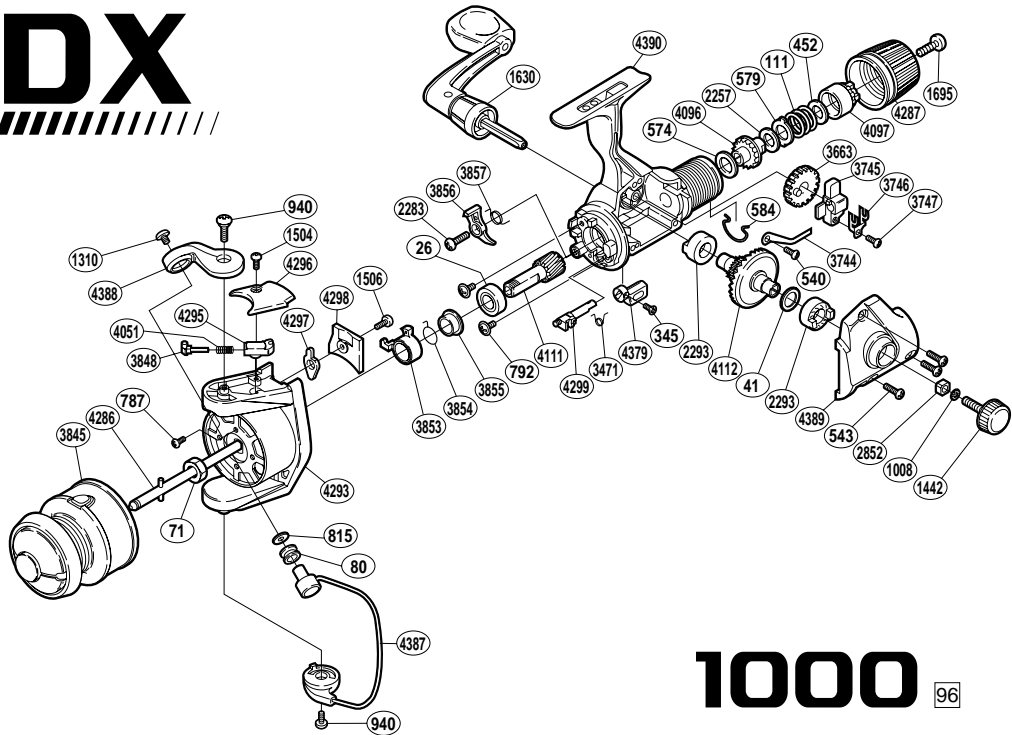


DX



1000

96

RD No.	PARTS NAMES	RD No.	PARTS NAMES	RD No.	PARTS NAMES
0026	Ball Bearing	1506	Bail Trip Lever Screw	4051	Bail Spring
0041	Drive Gear Washer	1630	Handle Assembly	4096	Drag Shaft
0071	Rotor Nut	1695	Drag Knob Screw	4097	Pressure Screw
0080	Line Roller	2257	Drag Washer "H"(blue)	4111	Pinion Gear
0111	Drag Coil Spring	2283	Anti-Reverse Pawl Screw	4112	Drive Gear
0345	Anti-Reverse Lever Screw	2293	Drive Gear Bushing	4286	Main Shaft Assembly
0452	Drag Spring Washer	2852	Handle Screw Lock	4287	Drag Knob Assembly
0540	Drag Click Screw	3471	Anti-Reverse Cam Spring	4293	Rotor
0543	Side Cover Screw	3663	Oscillating Gear	4295	Bail Spring Guide (B)
0574	Drag Washer "C"(cloth)	3744	Drag Click	4296	Bail Spring Cover
0579	Eared Washer "B"	3745	Oscillating Slider	4297	Bail Trip Lever
0584	Hold Click Spring	3746	Oscillating Slider Retainer	4298	Counterbalance Cover
0787	Nut Lock Screw	3747	Slider Retainer Screw	4299	Anti-Reverse Cam
0792	Bearing Retainer Screw	3845	Spool Assembly (S-1)	4379	Anti-Reverse Lever
0815	Line Roller Washer	3848	Bail Spring Guide (A)	4387	Bail Assembly
0940	Multi-Purpose Screw	3853	Anti-Reverse Lock Out	4388	Bail Arm
1008	Handle Lock Washer	3854	Anti-Reverse Lock Out Spring	4389	Side Cover
1310	Line Roller Screw	3855	Lock Out Spring Holder	4390	Body
1442	Handle Screw Cap	3856	Anti-Reverse Pawl		
1504	Bail Spring Cover Screw	3857	Anti-Reverse Pawl Spring		

(070602)