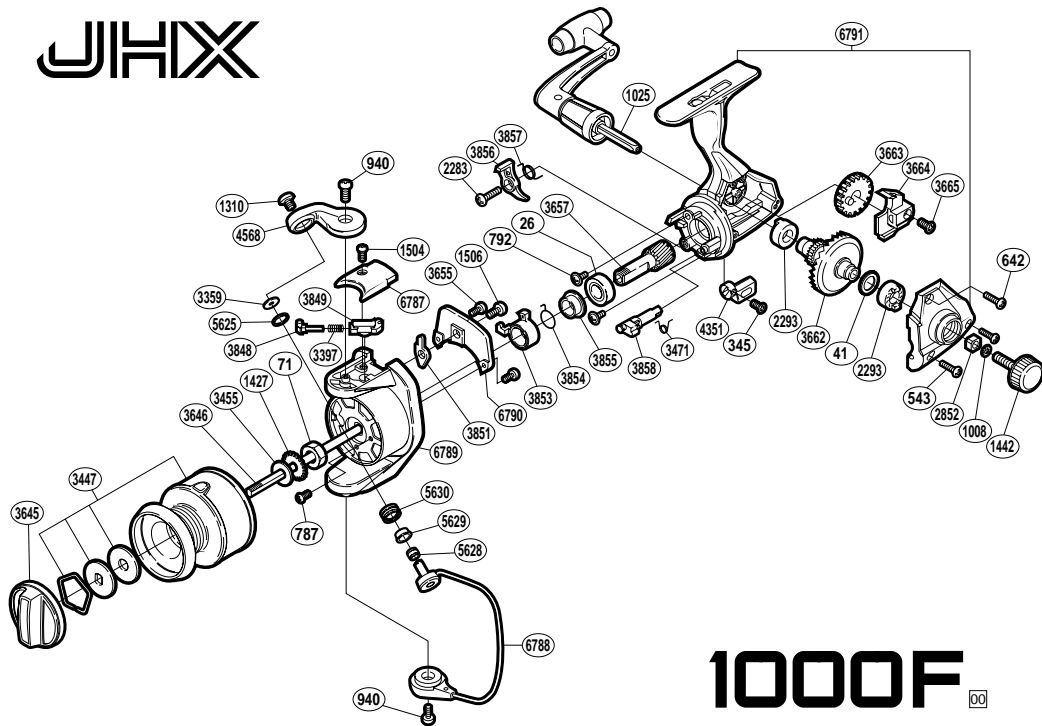


JHX



1000F

RD No.	PARTS NAMES	RD No.	PARTS NAMES	RD No.	PARTS NAMES
0026	Ball Bearing	2852	Handle Screw Lock	3854	Anti-Reverse Lock Out Spring
0041	Drive Gear Washer	3359	Line Roller Washer	3855	Lock Out Spring Holder
0071	Rotor Nut	3397	Bail Spring	3856	Anti-Reverse Pawl
0345	Anti-Reverse Lever Screw	3447	Spool Assembly	3857	Anti-Reverse Pawl Spring
0543	Side Cover Screw (black)	3455	Spool Washer	3858	Anti-Reverse Cam
0642	Side Cover Screw (silver)	3471	Anti-Reverse Cam Spring	4351	Anti-Reverse Lever
0787	Nut Lock Screw	3645	Drag Knob	4568	Bail Arm
0792	Bearing Retainer Screw	3646	Main Shaft	5625	Line Roller Spacer
0940	Multi-Purpose Screw	3655	Cover Screw	5628	Line Roller Collar
1008	Handle Lock Washer	3657	Pinion Gear	5629	Line Roller Bushing
1025	Handle Assembly	3662	Drive Gear	5630	Line Roller
1310	Line Roller Screw	3663	Oscillating Gear	6787	Bail Spring Cover
1427	Spool Support	3664	Oscillating Slider	6788	Bail Assembly
1442	Handle Screw Cap	3665	Slider Retainer Screw	6789	Rotor
1504	Bail Spring Cover Screw	3848	Bail Spring Guide (A)	6790	Counterbalance Cover
1506	Bail Trip Lever Screw	3849	Bail Spring Guide (B)	6791	Body Assembly
2283	Anti-Reverse Pawl Screw	3851	Bail Trip Lever		
2293	Drive Gear Bushing	3853	Anti-Reverse Lock Out		

(120203)