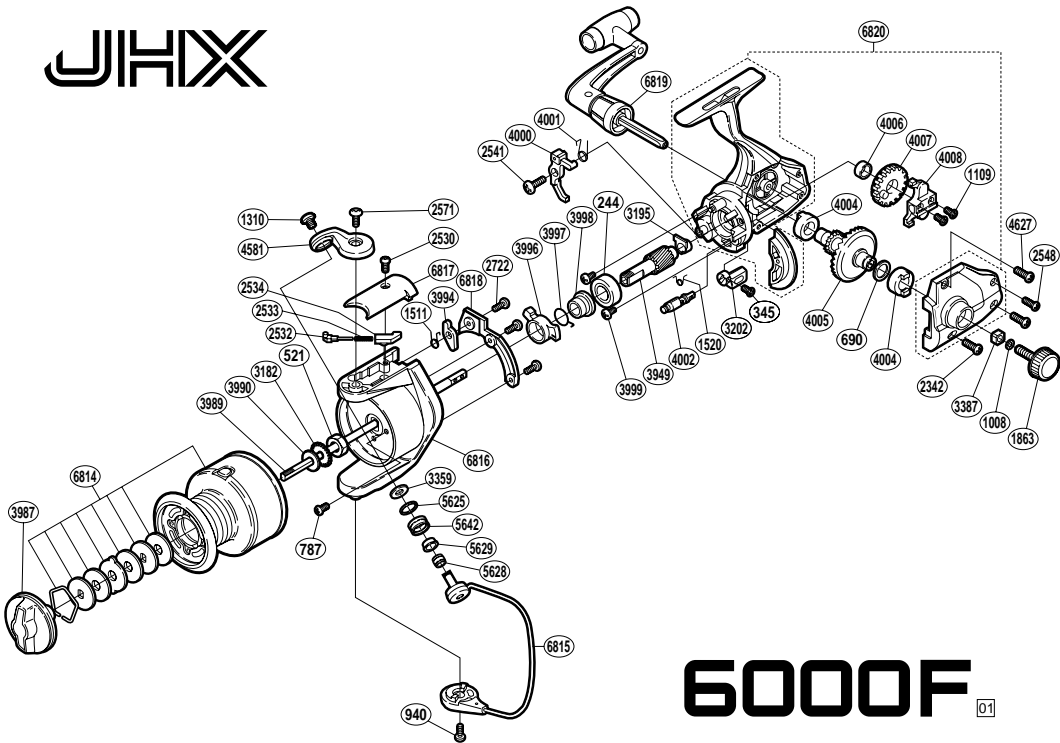


JHX



6000F 01

| RD No. | PARTS NAMES | RD No. | PARTS NAMES | RD No. | PARTS NAMES |
|--------|--------------------------------|--------|------------------------------|--------|---------------------------------|
| 0244 | Ball Bearing | 2571 | Bail Arm Screw | 4004 | Drive Gear Bushing |
| 0345 | Anti-Reverse Lever Screw | 2722 | Counterbalance Cover Screw | 4005 | Drive Gear |
| 0521 | Rotor Nut | 3182 | Spool Support | 4006 | Oscillating Gear Bushing |
| 0690 | Drive Gear Washer | 3195 | Bushing | 4007 | Oscillating Gear |
| 0787 | Nut Lock Screw | 3202 | Anti-Reverse Lever | 4008 | Oscillating Slider |
| 0940 | Bail Hold Support Screw | 3359 | Line Roller Washer | 4581 | Bail Arm |
| 1008 | Handle Lock Washer | 3387 | Handle Screw Lock | 4627 | Side Cover Screw (large-silver) |
| 1109 | Slider Retainer Screw | 3949 | Pinion Gear | 5625 | Line Roller Spacer |
| 1310 | Line Roller Screw | 3987 | Drag Knob | 5628 | Line Roller Collar |
| 1511 | Lever Spring | 3989 | Main Shaft | 5629 | Line Roller Bushing |
| 1520 | Anti-Reverse Cam Spring | 3990 | Spool Washer | 5642 | Line Roller |
| 1863 | Handle Screw Cap | 3994 | Bail Trip Lever | 6814 | Spool Assembly |
| 2342 | Side Cover Screw (large-black) | 3996 | Anti-Reverse Lock Out | 6815 | Bail Assembly |
| 2530 | Bail Spring Cover Screw | 3997 | Anti-Reverse Lock Out Spring | 6816 | Rotor |
| 2532 | Bail Spring Guide (A) | 3998 | Lock Out Spring Holder | 6817 | Bail Spring Cover |
| 2533 | Bail Spring | 3999 | Bearing Retainer Screw | 6818 | Counterbalance Cover |
| 2534 | Bail Spring Guide (B) | 4000 | Anti-Reverse Pawl | 6819 | Handle Assembly |
| 2541 | Anti-Reverse Pawl Screw | 4001 | Anti-Reverse Pawl Spring | 6820 | Body Assembly |
| 2548 | Side Cover Screw (small) | 4002 | Anti-Reverse Cam | | |

(120203)