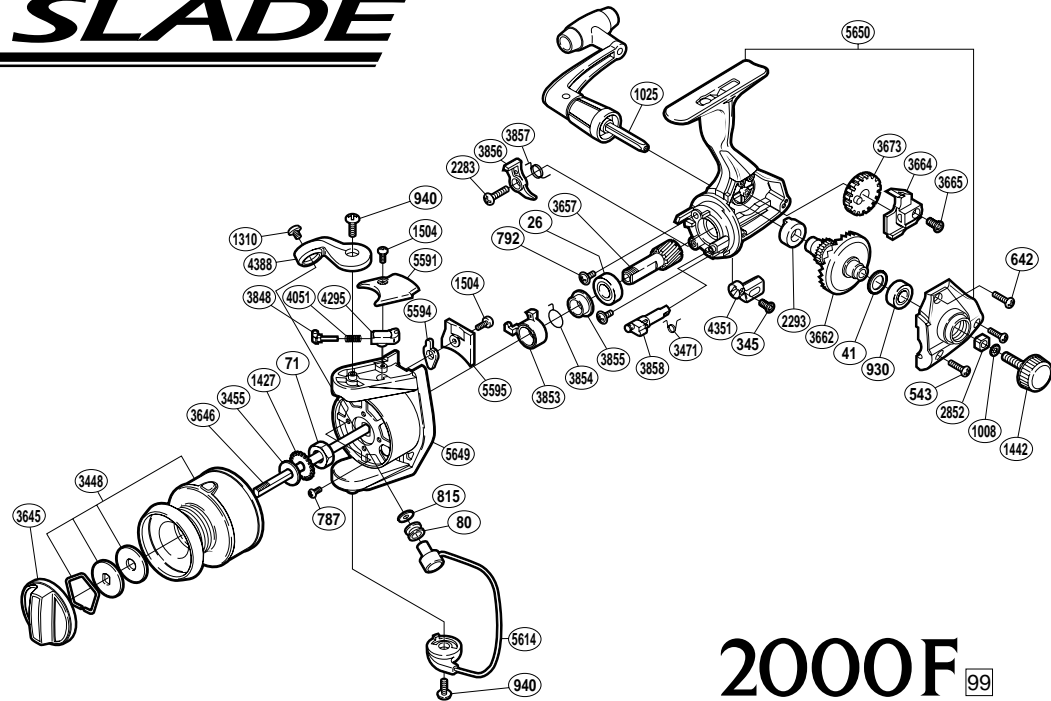


SLADE



2000F 99

RD No.	PARTS NAMES	RD No.	PARTS NAMES	RD No.	PARTS NAMES
0026	Ball Bearing	1442	Handle Screw Cap	3853	Anti-Reverse Lock Out
0041	Drive Gear Washer	1504	Multi-Purpose Screw	3854	Anti-Reverse Lock Out Spring
0071	Rotor Nut	2283	Anti-Reverse Pawl Screw	3855	Lock Out Spring Holder
0080	Line Roller	2293	Drive Gear Bushing	3856	Anti-Reverse Pawl
0345	Anti-Reverse Lever Screw	2852	Handle Screw Lock	3857	Anti-Reverse Pawl Spring
0543	Side Cover Screw (black)	3448	Spool Assembly	3858	Anti-Reverse Cam
0642	Side Cover Screw (silver)	3455	Spool Washer	4051	Bail Spring
0787	Nut Lock Screw	3471	Anti-Reverse Cam Spring	4295	Bail Spring Guide (B)
0792	Bearing Retainer Screw	3645	Drag Knob	4351	Anti-Reverse Lever
0815	Line Roller Washer	3646	Main Shaft	4388	Bail Arm
0930	Ball Bearing	3657	Pinion Gear	5591	Bail Spring Cover
0940	Multi-Purpose Screw	3662	Drive Gear	5594	Bail Trip Lever
1008	Handle Lock Washer	3664	Oscillating Slider	5595	Counterbalance Cover
1025	Handle Assembly	3665	Slider Retainer Screw	5614	Bail Assembly
1310	Line Roller Screw	3673	Oscillating Gear	5649	Rotor
1427	Spool Support	3848	Bail Spring Guide (A)	5650	Body Assembly

(120226)