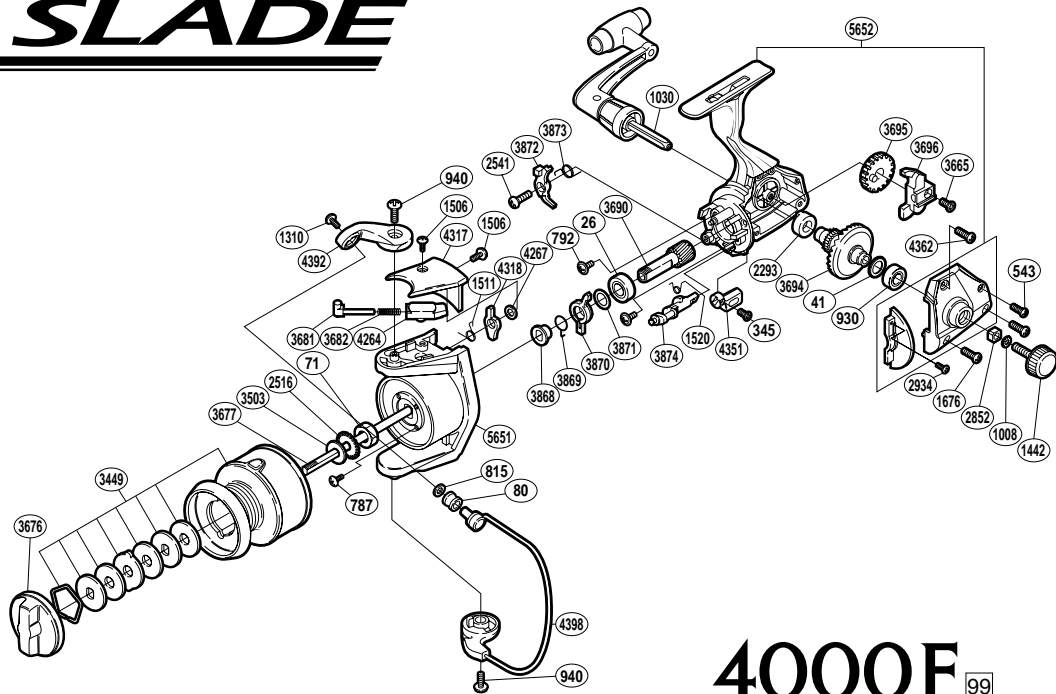


# SLADE



## 4000F 99

RD No.	PARTS NAMES	RD No.	PARTS NAMES	RD No.	PARTS NAMES
0026	Ball Bearing	1676	Side Cover Screw (large-black)	3869	Anti-Reverse Lock Out Spring
0041	Drive Gear Washer	2293	Drive Gear Bushing	3870	Anti-Reverse Lock Out
0071	Rotor Nut	2516	Spool Support	3871	Bushing Washer
0080	Line Roller	2541	Anti-Reverse Pawl Screw	3872	Anti-Reverse Pawl
0345	Anti-Reverse Lever Screw	2852	Handle Screw Lock	3873	Anti-Reverse Pawl Spring
0543	Side Cover Screw (small)	2934	Flange Screw	3874	Anti-Reverse Cam
0787	Nut Lock Screw	3449	Spool Assembly	4264	Bail Spring Guide (B)
0792	Bearing Retainer Screw	3503	Spool Washer	4267	Bail Trip Lever Washer
0815	Line Roller Washer	3665	Slider Retainer Screw	4317	Bail Spring Cover
0930	Ball Bearing	3676	Drag Knob	4318	Bail Trip Lever
0940	Multi-Purpose Screw	3677	Main Shaft	4351	Anti-Reverse Lever
1008	Handle Lock Washer	3681	Bail Spring Guide (A)	4362	Side Cover Screw (large-silver)
1030	Handle Assembly	3682	Bail Spring	4392	Bail Arm
1310	Line Roller Screw	3690	Pinion Gear	4398	Bail Assembly
1442	Handle Screw Cap	3694	Drive Gear	5651	Rotor
1506	Multi-Purpose Screw	3695	Oscillating Gear	5652	Body Assembly
1511	Lever Spring	3696	Oscillating Slider		
1520	Anti-Reverse Cam Spring	3868	Lock Out Spring Holder		

(120226)