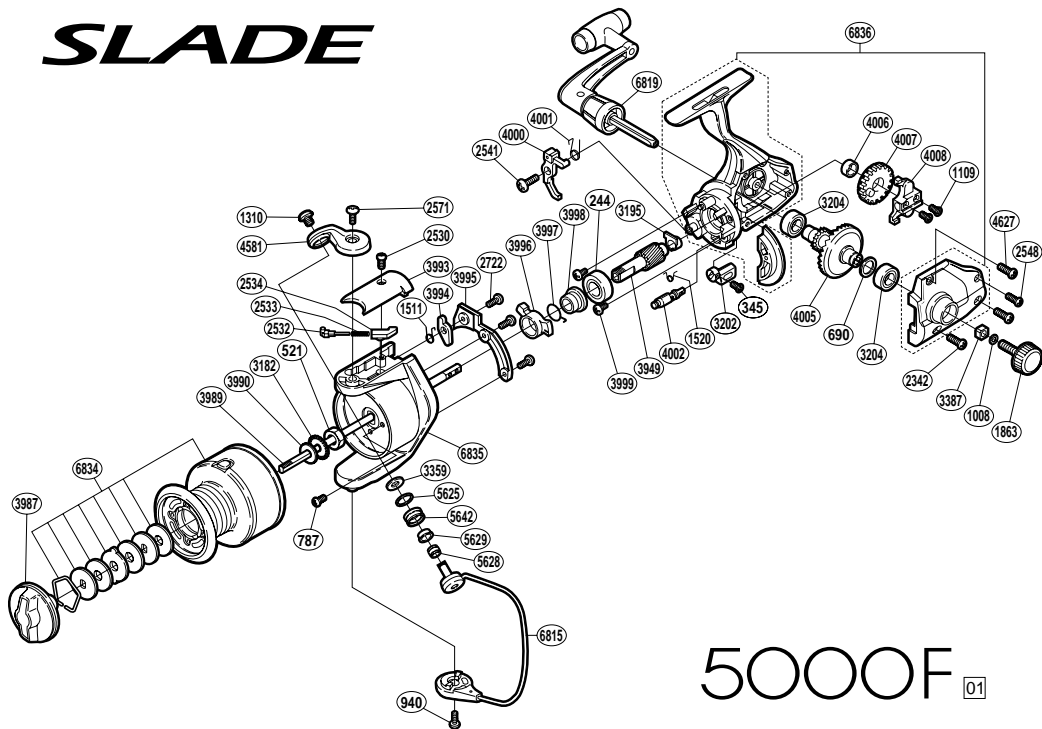


# SLADE



## 5000F 01

RD No.	PARTS NAMES	RD No.	PARTS NAMES	RD No.	PARTS NAMES
0244	Ball Bearing	2571	Bail Arm Screw	4000	Anti-Reverse Pawl
0345	Anti-Reverse Lever Screw	2722	Counterbalance Cover Screw	4001	Anti-Reverse Pawl Spring
0521	Rotor Nut	3182	Spool Support	4002	Anti-Reverse Cam
0690	Drive Gear Washer	3195	Bushing	4005	Drive Gear
0787	Nut Lock Screw	3202	Anti-Reverse Lever	4006	Oscillating Gear Bushing
0940	Bail Hold Support Screw	3204	Ball Bearing	4007	Oscillating Gear
1008	Handle Lock Washer	3359	Line Roller Washer	4008	Oscillating Slider
1109	Slider Retainer Screw	3387	Handle Screw Lock	4581	Bail Arm
1310	Line Roller Screw	3949	Pinion Gear	4627	Side Cover Screw (large-silver)
1511	Lever Spring	3987	Drag Knob	5625	Line Roller Spacer
1520	Anti-Reverse Cam Spring	3989	Main Shaft	5628	Line Roller Collar
1863	Handle Screw Cap	3990	Spool Washer	5629	Line Roller Bushing
2342	Side Cover Screw (large-black)	3993	Bail Spring Cover	5642	Line Roller
2530	Bail Spring Cover Screw	3994	Bail Trip Lever	6815	Bail Assembly
2532	Bail Spring Guide (A)	3995	Counterbalance Cover	6819	Handle Assembly
2533	Bail Spring	3996	Anti-Reverse Lock Out	6834	Spool Assembly
2534	Bail Spring Guide (B)	3997	Anti-Reverse Lock Out Spring	6835	Rotor
2541	Anti-Reverse Pawl Screw	3998	Lock Out Spring Holder	6836	Body Assembly
2548	Side Cover Screw (small)	3999	Bearing Retainer Screw		

(120630)