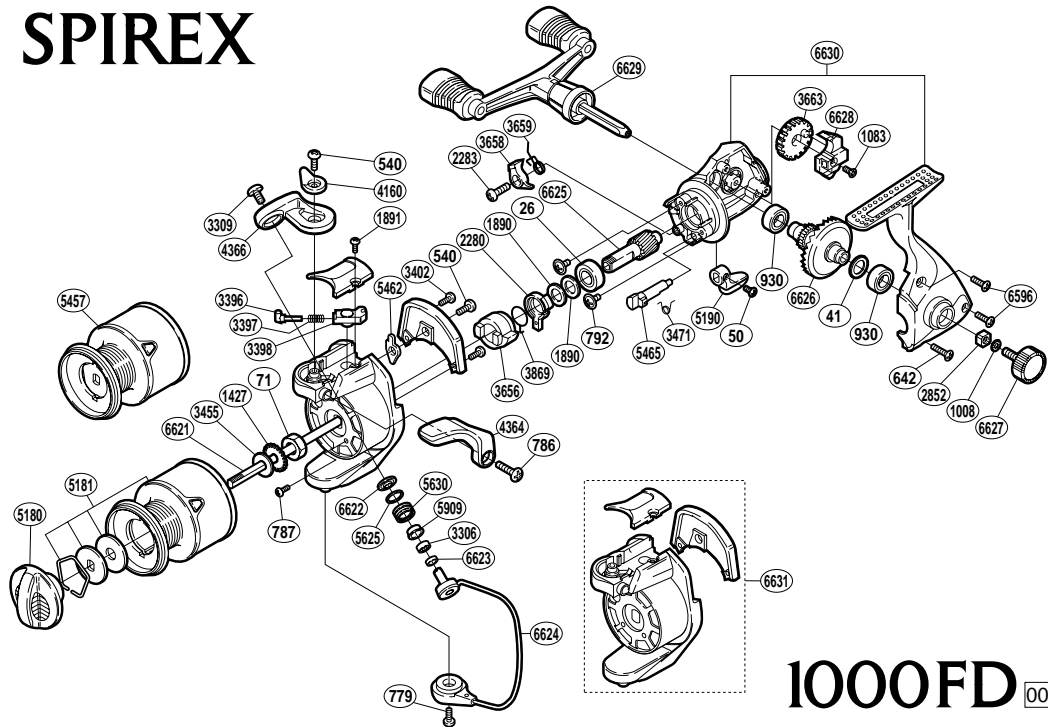


SPIREX



1000FD 00

RD No.	PARTS NAMES	RD No.	PARTS NAMES	RD No.	PARTS NAMES
0026	Ball Bearing	3306	Line Roller Bearing	5457	Spool Assembly (graphite)
0041	Drive Gear Washer	3309	Line Roller Screw	5462	Bail Trip Lever
0050	Anti-Reverse Lever Screw	3396	Bail Spring Guide (A)	5465	Anti-Reverse Cam
0071	Rotor Nut	3397	Bail Spring	5625	Line Roller Spacer
0540	Multi-Purpose Screw	3398	Bail Spring Guide (B)	5630	Line Roller
0642	Side Cover Screw (long)	3402	Cover Screw	5909	Line Roller Bushing
0779	Bail Hold Support Screw	3455	Spool Washer	6596	Side Cover Screw (short)
0786	Trigger Screw	3471	Anti-Reverse Cam Spring	6621	Main Shaft
0787	Nut Lock Screw	3656	Anti-Reverse Ratchet	6622	Line Roller Washer
0792	Bearing Retainer Screw	3658	Anti-Reverse Pawl	6623	Bearing Spacer
0930	Ball Bearing	3659	Anti-Reverse Pawl Spring	6624	Bail Assembly
1008	Handle Lock Washer	3663	Oscillating Gear	6625	Pinion Gear
1083	Slider Retainer Screw	3869	Anti-Reverse Lock Out Spring	6626	Drive Gear
1427	Spool Support	4160	Trigger Cam	6627	Handle Screw Cap
1890	Bushing Washer	4364	Quick-Fire II Trigger	6628	Oscillating Slider
1891	Bail Spring Cover Screw	4366	Bail Arm	6629	Double Paddle Handle Assembly
2280	Anti-Reverse Lock Out	5180	Drag Knob	6630	Body Assembly
2283	Anti-Reverse Pawl Screw	5181	Spool Assembly (aluminum)	6631	Rotor Assembly
2852	Handle Screw Lock	5190	Anti-Reverse Lever		

(110819)