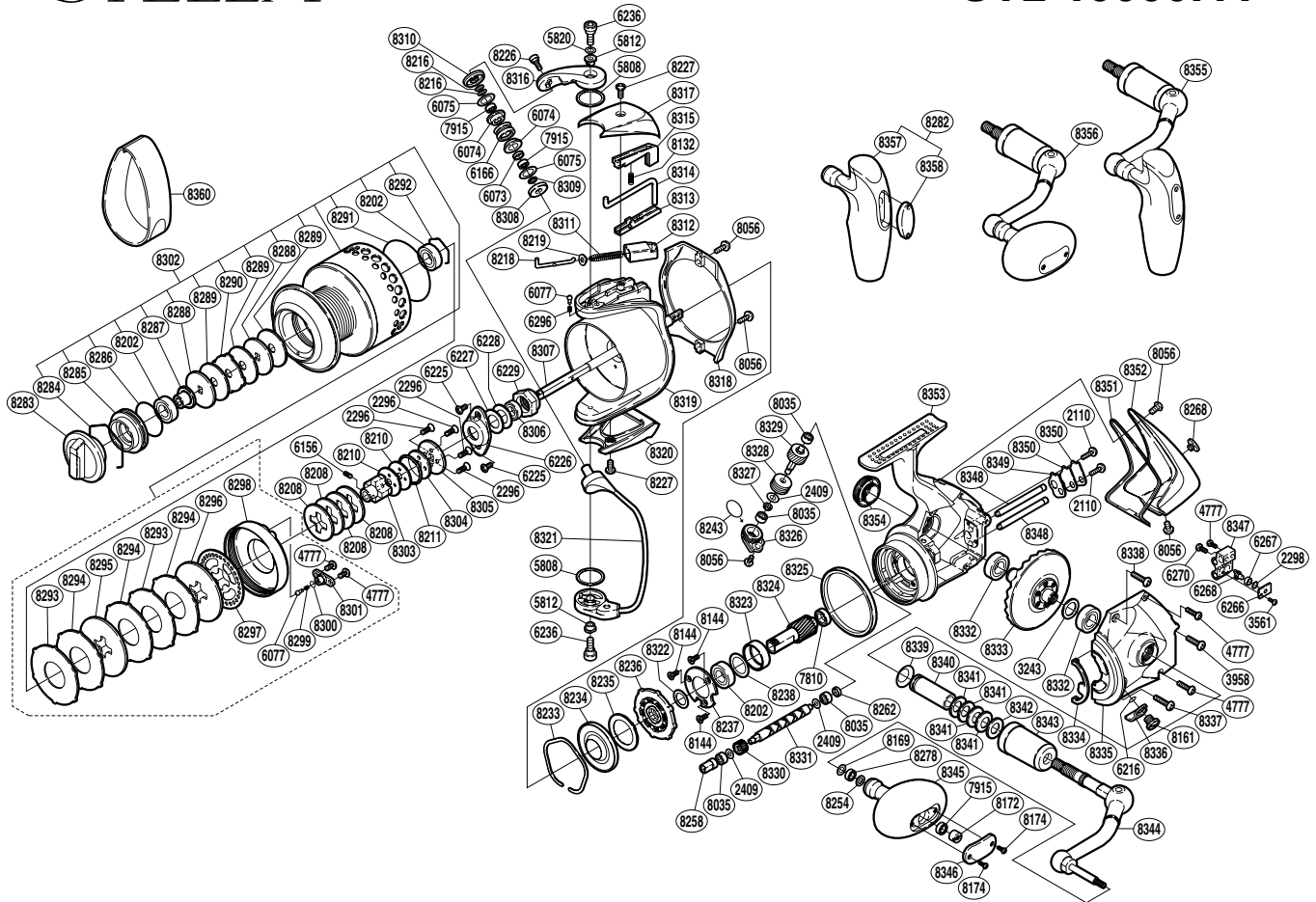


SHIMANO®

STELLA®

STL-10000FA



Part No.	Description	Part No.	Description	Part No.	Description
RD2110	Worm Shaft Retainer Screw	RD8227	Protector Screw	RD8317	Bail Spring Cover
RD2296	Support Lock Screw	RD8233	Roller Clutch Water Proof Retainer	RD8318	Rotor Guard
RD2298	Spacer	RD8234	Roller Clutch Water Proof	RD8319	Rotor
RD2409	Worm Shaft Spacer	RD8235	Roller Clutch Reinforce	RD8320	Bail Hold Support Guard
RD3243	Drive Gear Washer	RD8236	Roller Clutch Assembly	RD8321	Bail Assembly
RD3561	Oscillating Pawl Cover Screw	RD8237	Bearing Retainer	RD8322	Adjusting Washer
RD3958	Side Cover Screw (D)	RD8238	Adjusting Washer	RD8323	Bearing Housing
RD4777	Multi-Purpose Screw	RD8243	Gear Cover Seal	RD8324	Pinion Gear
RD5808	Bail Arm Washer	RD8254	Handle Knob Adjust Washer	RD8325	Friction Ring
RD5812	Bail Arm Screw Collar	RD8258	Worm Bushing	RD8326	Gear Cover
RD5820	Spacer	RD8262	Worm Shaft Ring	RD8327	Idle Gear (B) Collar
RD6073	Bearing Spacer	RD8268	Oil Cap	RD8328	Idle Gear (B)
RD6074	Line Roller Bushing	RD8278	Ball Bearing	RD8329	Pinion Worm Gear
RD6075	Roller Bearing Seal	RD8283	Drag Knob	RD8330	Idle Gear
RD6077	Click Pin	RD8284	Drag Washers Retainer	RD8331	Worm Shaft
RD6156	Set Screw	RD8285	Thrust Bushing	RD8332	Ball Bearing
RD6166	Line Roller	RD8286	"O" Ring	RD8333	Drive Gear
RD6216	"O" Ring	RD8287	Bearing Support	RD8334	Flange Water Proof
RD6225	Nut Lock Screw	RD8288	Key Washer	RD8335	Side Cover
RD6226	Rotor Nut Lock Plate	RD8289	Drag Washer (A)	RD8336	Oil Shield Cover
RD6227	Bearing Washer	RD8290	Eared Washer (A)	RD8337	Side Cover Screw (B)
RD6228	Bearing Water Proof	RD8291	"O" Ring	RD8338	Side Cover Screw (A)
RD6229	Rotor Nut	RD8292	Bearing Retainer	RD8339	Handle Shaft Seal
RD6236	Bail Arm Screw	RD8293	Eared Washer (B)	RD8340	Handle Shaft Cover (A)
RD6266	Oscillating Pawl Cover	RD8294	Drag Washer (B)	RD8341	Disc Spring
RD6267	Oscillating Slider Bushing	RD8295	Spool Drag Disc (A)	RD8342	Small Handle Shank Washer
RD6268	Oscillating Pawl	RD8296	Spool Drag Disc (B)	RD8343	Handle Shaft Cover (B)
RD6270	Slider Retainer Screw	RD8297	Drag Click Holder Cover	RD8344	Handle Shank Assembly
RD6296	Click Spring	RD8298	Drag Cover	RD8345	Handle Knob (Round type C)
RD7810	Ball Bearing	RD8299	Click Spring	RD8346	Handle Knob I.D. Plate
RD7915	Ball Bearing	RD8300	"O" Ring	RD8347	Oscillating Slider
RD8035	Ball Bearing	RD8301	Drag Click Holder	RD8348	Oscillating Guide
RD8056	Multi-Purpose Screw	RD8302	Spool Assembly	RD8349	Worm Shaft Retainer Washer
RD8132	Bail Trip Cover Spring	RD8303	Bearing Bushing	RD8350	Worm Shaft Retainer
RD8144	Bearing Retainer Screw	RD8304	Spool Support (A)	RD8351	Rear Shield
RD8161	Oil Cap	RD8305	Spool Support (B)	RD8352	Rear Protector
RD8169	Handle Knob Adjust Washer	RD8306	Ball Bearing	RD8353	Body
RD8172	Handle Knob Nut	RD8307	Main Shaft	RD8354	Handle Screw Cap
RD8174	Handle Knob Screw	RD8308	Line Roller Support Collar		
RD8202	Ball Bearing	RD8309	Bearing Retainer Ring		
RD8208	Spool Washer	RD8310	Line Roller Washer	RD8282	Handle Knob Assembly (T type B)
RD8210	Spool Support (C)	RD8311	Bail Spring	RD8355	Handle Assembly (T type B 10000)
RD8211	Bearing Water Proof	RD8312	Bail Spring Seat	RD8356	Handle Assembly (Round type C 20000)
RD8216	Adjusting Washer	RD8313	Trip Lever Guide		
RD8218	Bail Spring Guide (A)	RD8314	Bail Trip Lever	RD8357	Spare Handle Knob (T type B)
RD8219	Spring Guide (A) Support	RD8315	Bail Trip Cover	RD8358	Spare Handle Knob I.D. Plate
RD8226	Line Roller Screw	RD8316	Bail Arm	RD8359	Line Band (LLL)