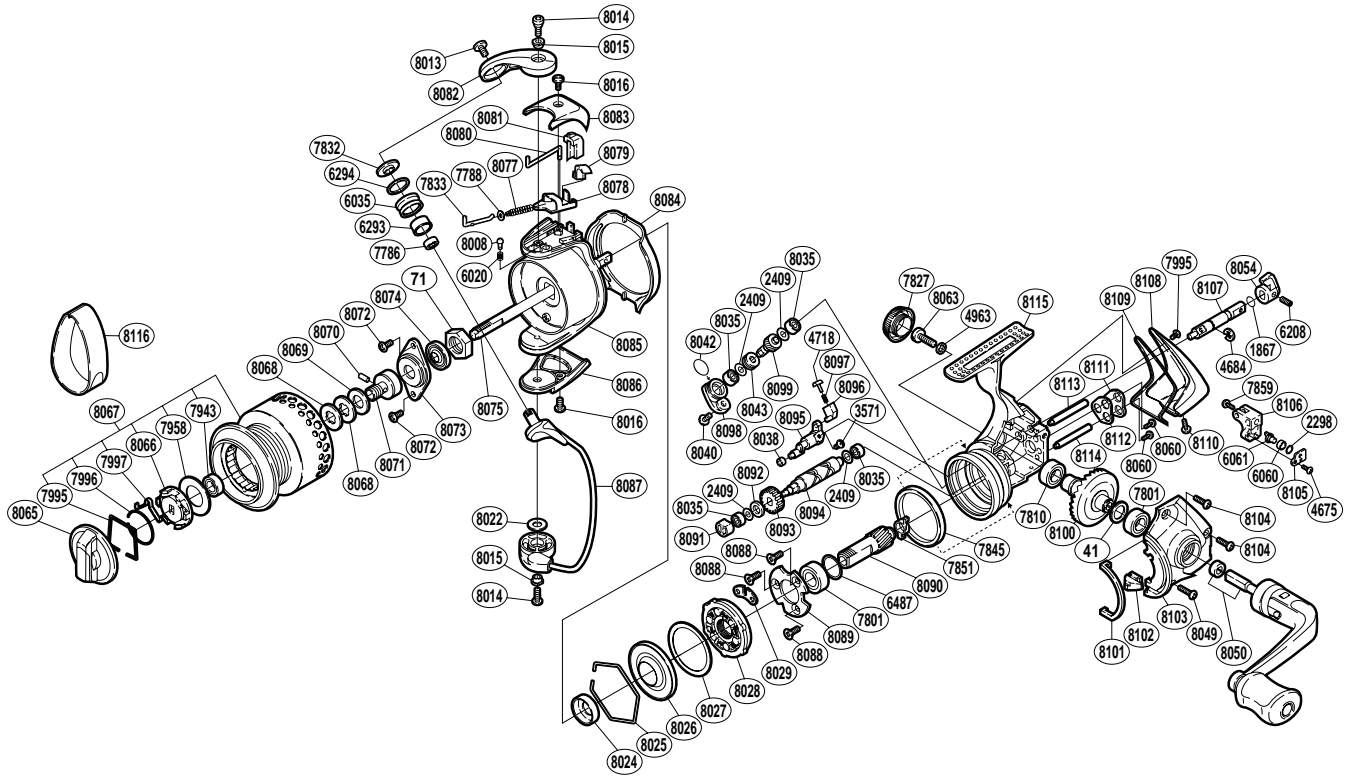


SHIMANO®

STELLA®

STL-1000FA



Part No.	Description	Part No.	Description	Part No.	Description
RD0041	Drive Gear Washer	RD8015	Bail Arm Screw Collar	RD8083	Bail Spring Cover
RD0071	Rotor Nut	RD8016	Multi-Purpose Screw	RD8084	Rotor Guard
RD1867	"O" Ring	RD8022	Bail Hold Support Washer	RD8085	Rotor
RD2298	Spacer	RD8024	Rotor Ring	RD8086	Bail Hold Support Guard
RD2409	Worm Shaft Spacer	RD8025	Roller Clutch Water Proof Retainer	RD8087	Bail Assembly
RD3571	Anti-Reverse Cam Screw	RD8026	Roller Clutch Water Proof	RD8088	Bearing Retainer Screw
RD4675	Oscillating Pawl Cover Screw	RD8027	Roller Clutch Outer Spacer	RD8089	Bearing Retainer
RD4684	"E" Lock	RD8028	Roller Clutch Assembly	RD8090	Pinion Gear
RD4718	Spring Guide (A)	RD8029	Clutch Insole	RD8091	Worm Bushing
RD4963	Handle Lock Washer	RD8035	Ball Bearing	RD8092	Worm Shaft Spacer
RD6020	Click Spring	RD8038	Anti-Reverse Cam Ring	RD8093	Idle Gear
RD6035	Line Roller	RD8040	Gear Cover Screw	RD8094	Worm Shaft
RD6060	Oscillating Slider Bushing	RD8042	Gear Cover Seal	RD8095	Anti-Reverse Cam
RD6061	Oscillating Pawl	RD8043	Idle Gear (B)	RD8096	Spring Guide (B)
RD6208	Set Screw	RD8049	Side Cover Screw (long)	RD8097	Anti-Reverse Cam Spring
RD6293	Line Roller Bushing	RD8050	Handle Assembly	RD8098	Gear Cover
RD6294	Line Roller Spacer	RD8054	Anti-Reverse Lever	RD8099	Pinion Worm Gear
RD6487	Adjusting Washer	RD8060	Worm Shaft Retainer Screw	RD8100	Drive Gear
RD7786	Ball Bearing	RD8063	Handle Lock Screw	RD8101	Flange Water Proof
RD7788	Spring Guide (A) Support	RD8065	Drag Knob	RD8102	Bail Trip Strike
RD7801	Ball Bearing	RD8066	Drag Click Holder	RD8103	Side Cover
RD7810	Ball Bearing	RD8067	Spool Assembly	RD8104	Side Cover Screw (short)
RD7827	Handle Screw Cap	RD8068	Spool Washer	RD8105	Oscillating Pawl Cover
RD7832	Line Roller Washer	RD8069	Bearing Guide Pin Retainer	RD8106	Oscillating Slider
RD7833	Bail Spring Guide (A)	RD8070	Bearing Guide Pin	RD8107	Anti-Reverse Lever Shaft
RD7845	Friction Ring	RD8071	Bearing Bushing Assembly	RD8108	Rear Protector
RD7851	Bushing	RD8072	Nut Lock Screw	RD8109	Rear Shield
RD7859	Slider Retainer Screw	RD8073	Rotor Nut Lock Plate	RD8110	Protector Screw (E)
RD7943	Ball Bearing	RD8074	Bearing Water Proof	RD8111	Worm Shaft Retainer
RD7958	Drag Washer	RD8075	Main Shaft	RD8112	Worm Shaft Retainer Washer
RD7995	Drag Washers Retainer	RD8077	Bail Spring	RD8113	Oscillating Guide (A)
RD7996	Click Spring Retainer	RD8078	Bail Spring Seat	RD8114	Oscillating Guide (B)
RD7997	Click Spring	RD8079	Bail Spring Inner Cover	RD8115	Body
RD8008	Click Pin	RD8080	Bail Trip Lever		
RD8013	Line Roller Screw	RD8081	Bail Trip Cover		
RD8014	Bail Arm Screw	RD8082	Bail Arm	RD8116	Line Band (SS)