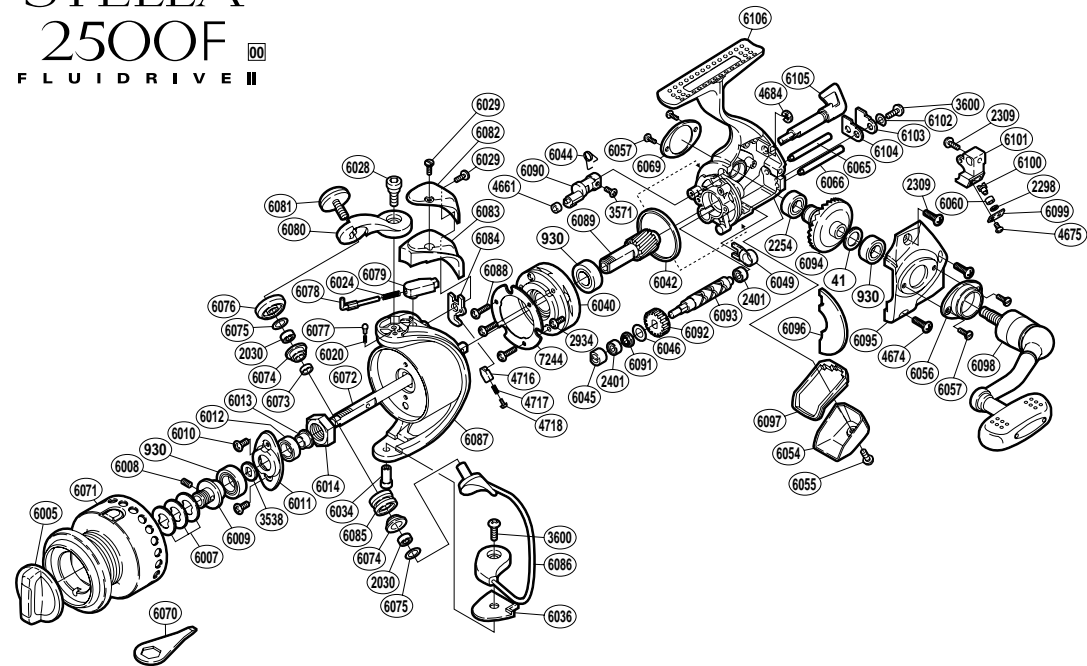


# STELLA

## 2500F

FLUIDRIVE II



RD No.	PARTS NAMES	RD No.	PARTS NAMES	RD No.	PARTS NAMES
0041	Drive Gear Washer	6028	Bail Arm Screw	6081	Line Roller Screw
0930	Ball Bearing	6029	Protector Screw	6082	Rotor Protector
2030	Ball Bearing	6034	Bail Hold Support Shaft	6083	Bail Spring Cover
2254	Ball Bearing	6036	Bail Hold Support Spacer	6084	Bail Trip Lever
2298	Spacer	6040	Roller Clutch Assembly	6085	Line Roller
2309	Multi-Purpose Screw	6042	Friction Ring	6086	Bail Assembly
2401	Ball Bearing	6044	Anti-Reverse Cam Spring	6087	Rotor
2934	Clutch Cover Screw	6045	Worm Bushing	6088	Roller Clutch Screw
3538	Spool Support	6046	Idle Gear Washer	6089	Pinion Gear
3571	Anti-Reverse Cam Screw	6049	Bushing	6090	Anti-Reverse Cam
3600	Multi-Purpose Screw	6054	Rear Protector	6091	Idle Gear Spacer
4661	Anti-Reverse Cam Ring	6055	Rear Protector Screw	6092	Idle Gear
4674	Side Cover Screw	6056	Handle Screw Cap (A)	6093	Worm Shaft
4675	Oscillating Pawl Cover Screw	6057	Cap Screw	6094	Drive Gear
4684	"E" Lock	6060	Oscillating Slider Bushing	6095	Side Cover
4716	Lever Spring Guide (B)	6065	Oscillating Guide (A)	6096	Side Cover Flange
4717	Lever Spring	6066	Oscillating Guide (B)	6097	Rear Shield
4718	Lever Spring Guide (A)	6069	Handle Screw Cap (B)	6098	Handle Assembly
6005	Drag Knob	6070	Wrench (accessory)	6099	Oscillating Pawl Cover
6007	Spool Washer	6071	Spool Assembly	6100	Oscillating Pawl
6008	Set Screw	6072	Main Shaft	6101	Oscillating Slider
6009	Bearing Bushing	6073	Bearing Spacer	6102	Worm Shaft Retainer Spacer
6010	Nut Lock Screw	6074	Line Roller Bushing	6103	Worm Shaft Retainer
6011	Rotor Nut Lock Plate	6075	Roller Bearing Seal	6104	Worm Shaft Retainer Washer
6012	Ball Bearing	6076	Line Roller Washer	6105	Anti-Reverse Lever
6013	Main Shaft Spacer	6077	Click Pin	6106	Body
6014	Rotor Nut	6078	Bail Spring Guide (A)	7244	Roller Clutch Reinforce
6020	Click Spring	6079	Bail Spring Guide (B)		
6024	Bail Spring	6080	Bail Arm		