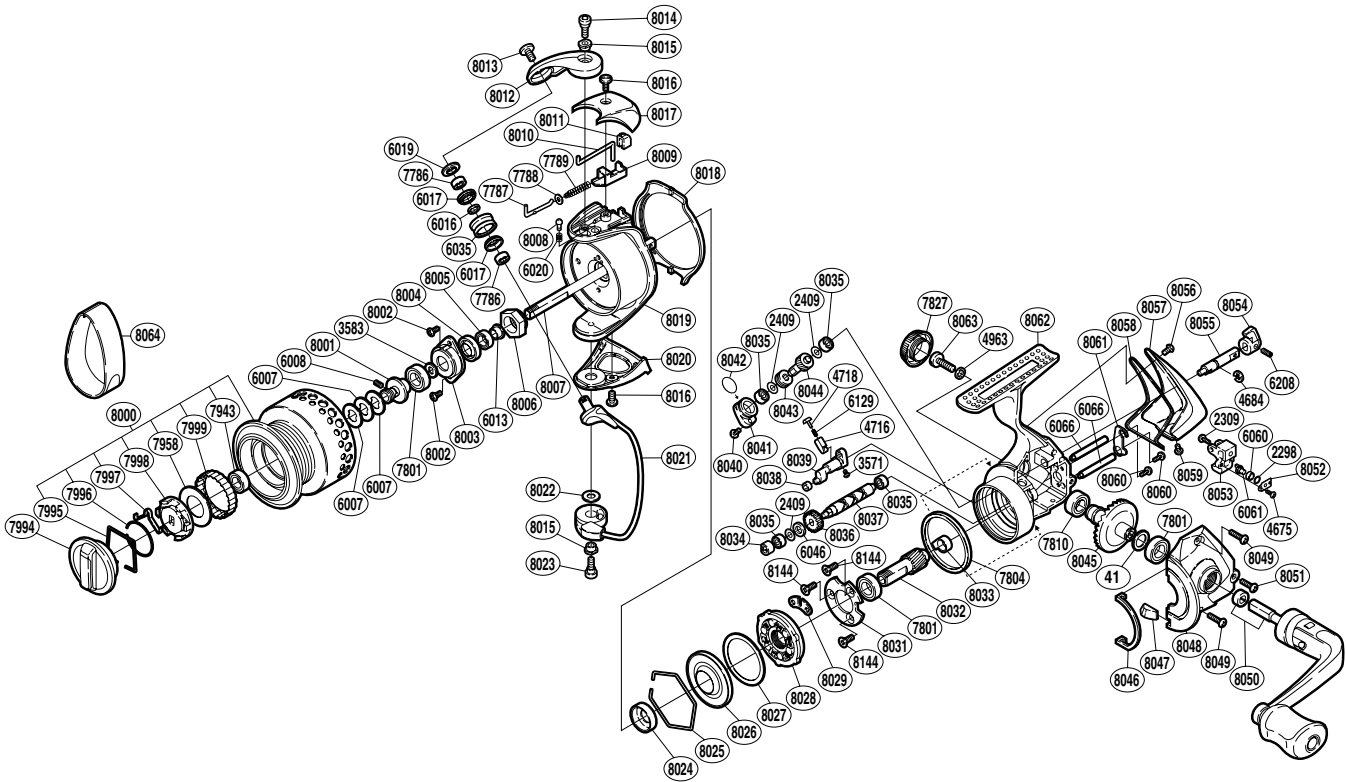


SHIMANO®

STELLA®

STL-2500FA



Part No.	Description	Part No.	Description	Part No.	Description
RD0041	Drive Gear Washer	RD7995	Drag Washers Retainer	RD8032	Pinion Gear
RD2298	Spacer	RD7996	Click Spring Retainer	RD8033	Bushing
RD2309	Slider Retainer Screw	RD7997	Click Spring	RD8034	Worm Bushing
RD2409	Worm Shaft Spacer	RD7998	Drag Click Holder	RD8035	Ball Bearing
RD3538	Spool Support	RD7999	Drag Click Collar	RD8036	Idle Gear
RD3571	Anti-Reverse Cam Screw	RD8000	Spool Assembly	RD8037	Worm Shaft
RD4675	Oscillating Pawl Cover Screw	RD8001	Bearing Bushing	RD8038	Anti-Reverse Cam Ring
RD4684	"E" Lock	RD8002	Nut Lock Screw	RD8039	Anti-Reverse Cam
RD4716	Spring Guide (B)	RD8003	Rotor Nut Lock Plate	RD8040	Gear Cover Screw
RD4718	Spring Guide (A)	RD8004	Bearing Water Proof	RD8041	Gear Cover
RD4963	Handle Lock Washer	RD8005	Ball Bearing	RD8042	Gear Cover Seal
RD6007	Spool Washer	RD8006	Rotor Nut	RD8043	Idle Gear (B)
RD6008	Set Screw	RD8007	Main Shaft	RD8044	Pinion Worm Gear
RD6013	Main Shaft Spacer	RD8008	Click Pin	RD8045	Drive Gear
RD6016	Bearing Spacer	RD8009	Bail Spring Seat	RD8046	Flange Water Proof
RD6017	Line Roller Bushing	RD8010	Bail Trip Lever	RD8047	Bail Trip Strike
RD6019	Line Roller Washer	RD8011	Bail Trip Cover	RD8048	Side Cover
RD6020	Click Spring	RD8012	Bail Arm	RD8049	Side Cover Screw (long)
RD6035	Line Roller	RD8013	Line Roller Screw	RD8050	Handle Assembly
RD6046	Idle Gear Washer	RD8014	Bail Arm Screw	RD8051	Side Cover Screw (short)
RD6060	Oscillating Slider Bushing	RD8015	Bail Arm Screw Collar	RD8052	Oscillating Pawl Cover
RD6061	Oscillating Pawl	RD8016	Multi-Purpose Screw	RD8053	Oscillating Slider
RD6066	Oscillating Guide (B)	RD8017	Bail Spring Cover	RD8054	Anti-Reverse Lever
RD6129	Lever Spring	RD8018	Rotor Guard	RD8055	Anti-Reverse Lever Shaft
RD6208	Set Screw	RD8019	Rotor	RD8056	Protector Screw (C)
RD7786	Ball Bearing	RD8020	Bail Hold Support Guard	RD8057	Rear Protector
RD7787	Bail Spring Guide (A)	RD8021	Bail Assembly	RD8058	Rear Shield
RD7788	Spring Guide (A) Support	RD8022	Bail Hold Support Washer	RD8059	Protector Screw (D)
RD7789	Bail Spring	RD8023	Bail Hold Support Screw	RD8060	Worm Shaft Retainer Screw
RD7801	Ball Bearing	RD8024	Rotor Ring	RD8061	Worm Shaft Retainer
RD7804	Friction Ring	RD8025	Roller Clutch Water Proof Retainer	RD8062	Body
RD7810	Ball Bearing	RD8026	Roller Clutch Water Proof	RD8063	Handle Lock Screw
RD7827	Handle Screw Cap	RD8027	Roller Clutch Outer Spacer	RD8144	Bearing Retainer Screw
RD7943	Ball Bearing	RD8028	Roller Clutch Assembly		
RD7958	Drag Washer	RD8029	Clutch Insole		
RD7994	Drag Knob	RD8031	Bearing Retainer	RD8064	Line Band (S)