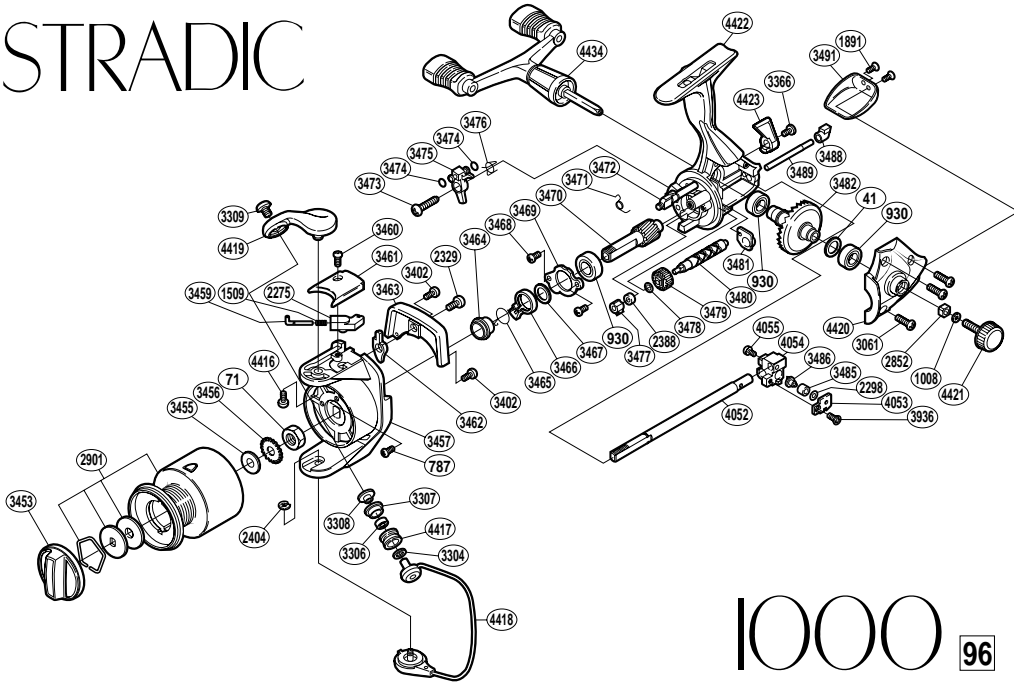


STRADIC



1000

96

RD No.	PARTS NAMES	RD No.	PARTS NAMES	RD No.	PARTS NAMES
0041	Drive Gear Washer	3455	Spool Washer	3479	Idle Gear
0071	Rotor Nut	3456	Spool Support	3480	Worm Shaft
0787	Nut Lock Screw	3457	Rotor	3481	Bushing
0930	Ball Bearing	3459	Bail Spring Guide (A)	3482	Drive Gear
1008	Handle Lock Washer	3460	Bail Spring Cover Screw	3485	Oscillating Slider Bushing
1509	Bail Spring	3461	Bail Spring Cover	3486	Oscillating Pawl
1891	Rear Protector Screw	3462	Bail Trip Lever	3488	Oscillating Guide Holder
2275	Bail Spring Guide (B)	3463	Counterbalance Cover	3489	Oscillating Guide
2298	Spacer	3464	Lock Out Spring Holder	3491	Rear Protector
2329	Bail Trip Lever Screw	3465	Anti-Reverse Lock Out Spring	3936	Oscillating Pawl Cover Screw
2388	Ball Bearing	3466	Anti-Reverse Lock Out	4052	Main Shaft
2404	"E" Lock	3467	Bushing Washer	4053	Oscillating Pawl Cover
2852	Handle Screw Lock	3468	Bearing Retainer Screw	4054	Oscillating Slider
2901	Spool Assembly	3469	Bearing Retainer	4055	Slider Retainer Screw
3061	Side Cover Screw	3470	Pinion Gear	4416	Bail Arm Screw
3304	Bearing Spacer	3471	Anti-Reverse Cam Spring	4417	Line Roller
3306	Line Roller Bearing	3472	Anti-Reverse Cam	4418	Bail Assembly
3307	Line Roller Bushing	3473	Anti-Reverse Pawl Screw	4419	Bail Arm
3308	Line Roller Washer	3474	"O" Ring	4420	Side Cover
3309	Line Roller Screw	3475	Anti-Reverse Pawl	4421	Handle Screw Cap
3366	Anti-Reverse Lever Screw	3476	Anti-Reverse Pawl Spring	4422	Body
3402	Cover Screw	3477	Worm Bearing	4423	Anti-Reverse Lever
3453	Drag Knob	3478	Worm Shaft Spacer	4434	Double Paddle Handle Assembly

(070810)