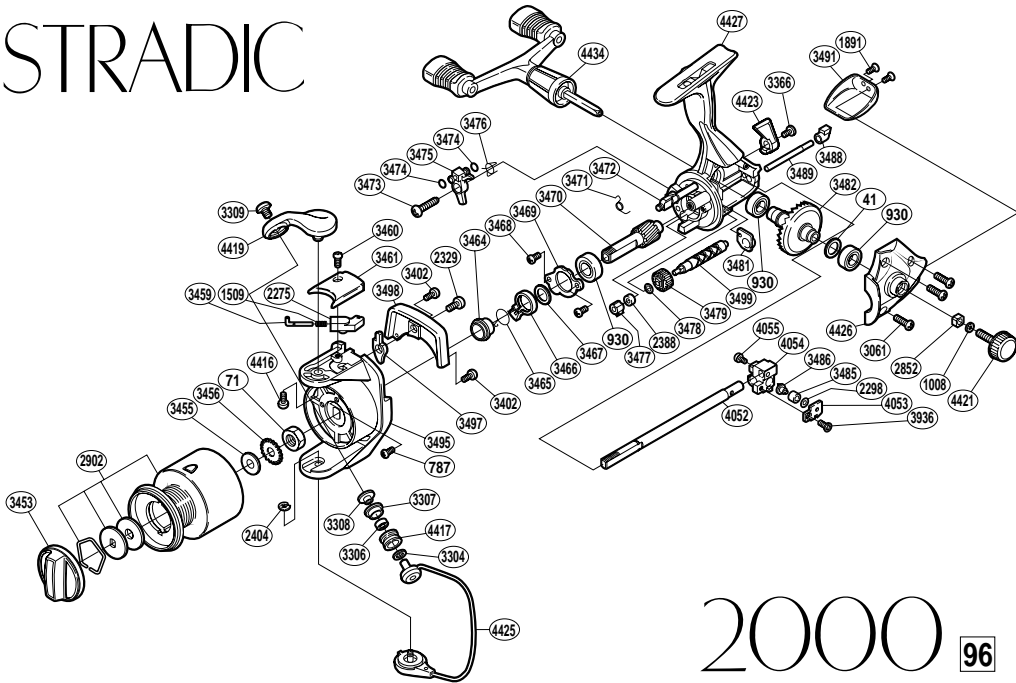


# STRADIC



# 2000

96

RD No.	PARTS NAMES	RD No.	PARTS NAMES	RD No.	PARTS NAMES
0041	Drive Gear Washer	3455	Spool Washer	3485	Oscillating Slider Bushing
0071	Rotor Nut	3456	Spool Support	3486	Oscillating Pawl
0787	Nut Lock Screw	3459	Bail Spring Guide (A)	3488	Oscillating Guide Holder
0930	Ball Bearing	3460	Bail Spring Cover Screw	3489	Oscillating Guide
1008	Handle Lock Washer	3461	Bail Spring Cover	3491	Rear Protector
1509	Bail Spring	3464	Lock Out Spring Holder	3495	Rotor
1891	Rear Protector Screw	3465	Anti-Reverse Lock Out Spring	3497	Bail Trip Lever
2275	Bail Spring Guide (B)	3466	Anti-Reverse Lock Out	3498	Counterbalance Cover
2298	Spacer	3467	Bushing Washer	3499	Worm Shaft
2329	Bail Trip Lever Screw	3468	Bearing Retainer Screw	3936	Oscillating Pawl Cover Screw
2388	Ball Bearing	3469	Bearing Retainer	4052	Main Shaft
2404	"E" Lock	3470	Pinion Gear	4053	Oscillating Pawl Cover
2852	Handle Screw Lock	3471	Anti-Reverse Cam Spring	4054	Oscillating Slider
2902	Spool Assembly	3472	Anti-Reverse Cam	4055	Slider Retainer Screw
3061	Side Cover Screw	3473	Anti-Reverse Pawl Screw	4416	Bail Arm Screw
3304	Bearing Spacer	3474	"O" Ring	4417	Line Roller
3306	Line Roller Bearing	3475	Anti-Reverse Pawl	4419	Bail Arm
3307	Line Roller Bushing	3476	Anti-Reverse Pawl Spring	4421	Handle Screw Cap
3308	Line Roller Washer	3477	Worm Bearing	4423	Anti-Reverse Lever
3309	Line Roller Screw	3478	Worm Shaft Spacer	4425	Bail Assembly
3366	Anti-Reverse Lever Screw	3479	Idle Gear	4426	Side Cover
3402	Cover Screw	3481	Bushing	4427	Body
3453	Drag Knob	3482	Drive Gear	4434	Double Paddle Handle Assembly