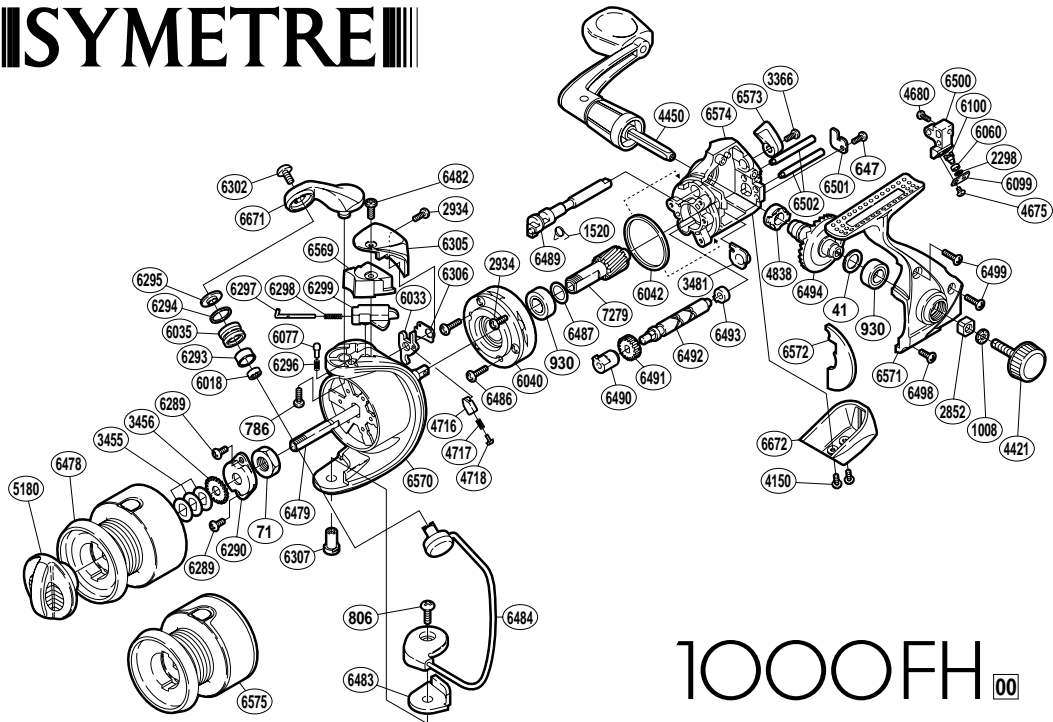


SYMETRE



1000FH 00

RD No.	PARTS NAMES	RD No.	PARTS NAMES	RD No.	PARTS NAMES
0041	Drive Gear Washer	6018	Ball Bearing	6483	Bail Hold Support Spacer
0071	Rotor Nut	6033	Bail Trip Lever	6484	Bail Assembly
0647	Worm Shaft Retainer Screw	6035	Line Roller	6486	Roller Clutch Screw
0786	Bail Arm Screw	6040	Roller Clutch Assembly	6487	Adjusting Washer
0806	Bail Hold Support Screw	6042	Friction Ring	6489	Anti-Reverse Cam
0930	Ball Bearing	6060	Oscillating Slider Bushing	6490	Worm Bushing (front)
1008	Handle Lock Washer	6077	Click Pin	6491	Idle Gear
1520	Anti-Reverse Cam Spring	6099	Oscillating Pawl Cover	6492	Worm Shaft
2298	Spacer	6100	Oscillating Pawl	6493	Worm Bushing (rear)
2852	Handle Screw Lock	6289	Nut Lock Screw	6494	Drive Gear
2934	Multi-Purpose Screw	6290	Rotor Nut Lock Plate	6498	Side Cover Screw (short)
3366	Anti-Reverse Lever Screw	6293	Line Roller Bushing	6499	Side Cover Screw (long)
3455	Spool Washer	6294	Line Roller Spacer	6500	Oscillating Slider
3456	Spool Support	6295	Line Roller Washer	6501	Worm Shaft Retainer
3481	Bushing	6296	Click Spring	6502	Oscillating Guide
4150	Rear Protector Screw	6297	Bail Spring Guide (A)	6569	Bail Spring Cover
4421	Handle Screw Cap	6298	Bail Spring	6570	Rotor
4450	Handle Assembly	6299	Bail Spring Guide (B)	6571	Side Cover
4675	Oscillating Pawl Cover Screw	6302	Line Roller Screw	6572	Side Cover Flange
4680	Slider Retainer Screw	6305	Rotor Protector	6573	Anti-Reverse Lever
4716	Lever Spring Guide (B)	6306	Trip Lever Spacer	6574	Body
4717	Lever Spring	6307	Bail Hold Support Shaft	6575	Spool Assembly (graphite)
4718	Lever Spring Guide (A)	6478	Spool Assembly (aluminum)	6671	Bail Arm
4838	Drive Gear Bushing	6479	Main Shaft	6672	Rear Protector
5180	Drag Knob	6482	Protector Screw	7279	Pinion Gear

(121109)