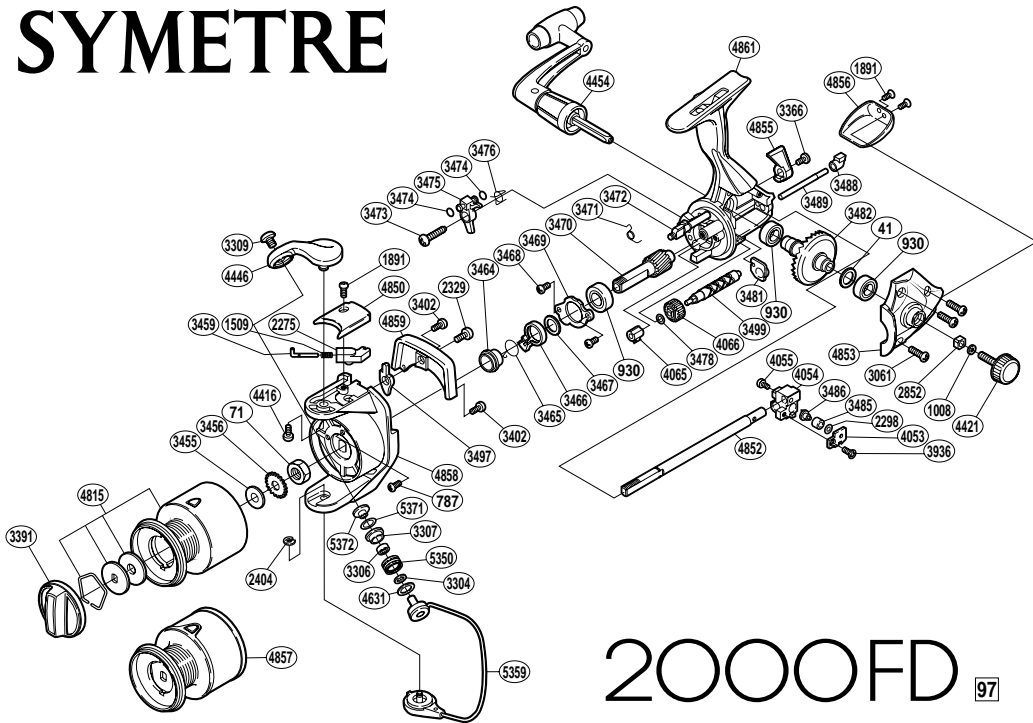


SYMETRE



2000FD

97

RD No.	PARTS NAMES	RD No.	PARTS NAMES	RD No.	PARTS NAMES
0041	Drive Gear Washer	3465	Anti-Reverse Lock Out Spring	4055	Slider Retainer Screw
0071	Rotor Nut	3466	Anti-Reverse Lock Out	4065	Worm Bearing
0787	Nut Lock Screw	3467	Bushing Washer	4066	Idle Gear
0930	Ball Bearing	3468	Bearing Retainer Screw	4416	Bail Arm Screw
1008	Handle Lock Washer	3469	Bearing Retainer	4421	Handle Screw Cap
1509	Bail Spring	3470	Pinion Gear	4446	Bail Arm
1891	Multi Purpose Screw	3471	Anti-Reverse Cam Spring	4454	Handle Assembly
2275	Bail Spring Guide (B)	3472	Anti-Reverse Cam	4631	Spacer
2298	Spacer	3473	Anti-Reverse Pawl Screw	4815	Spool Assembly (aluminum)
2329	Bail Trip Lever Screw	3474	"O" Ring	4850	Bail Spring Cover
2404	"E" Lock	3475	Anti-Reverse Pawl	4852	Main Shaft
2852	Handle Screw Lock	3476	Anti-Reverse Pawl Spring	4853	Side Cover
3061	Side Cover Screw	3478	Worm Shaft Spacer	4855	Anti-Reverse Lever
3304	Bearing Spacer	3481	Bushing	4856	Rear Protector
3306	Line Roller Bearing	3482	Drive Gear	4857	Spool Assembly (graphite)
3307	Line Roller Bushing	3485	Oscillating Slider Bushing	4858	Rotor
3309	Line Roller Screw	3486	Oscillating Pawl	4859	Counterbalance Cover
3366	Anti-Reverse Lever Screw	3488	Oscillating Guide Holder	4861	Body
3391	Drag Knob	3489	Oscillating Guide	5350	Line Roller
3402	Cover Screw	3497	Bail Trip Lever	5359	Bail Assembly
3455	Spool Washer	3499	Worm Shaft	5371	Spacer
3456	Spool Support	3936	Oscillating Pawl Cover Screw	5372	Line Roller Washer
3459	Bail Spring Guide (A)	4053	Oscillating Pawl Cover		
3464	Lock Out Spring Holder	4054	Oscillating Slider		

(080912)