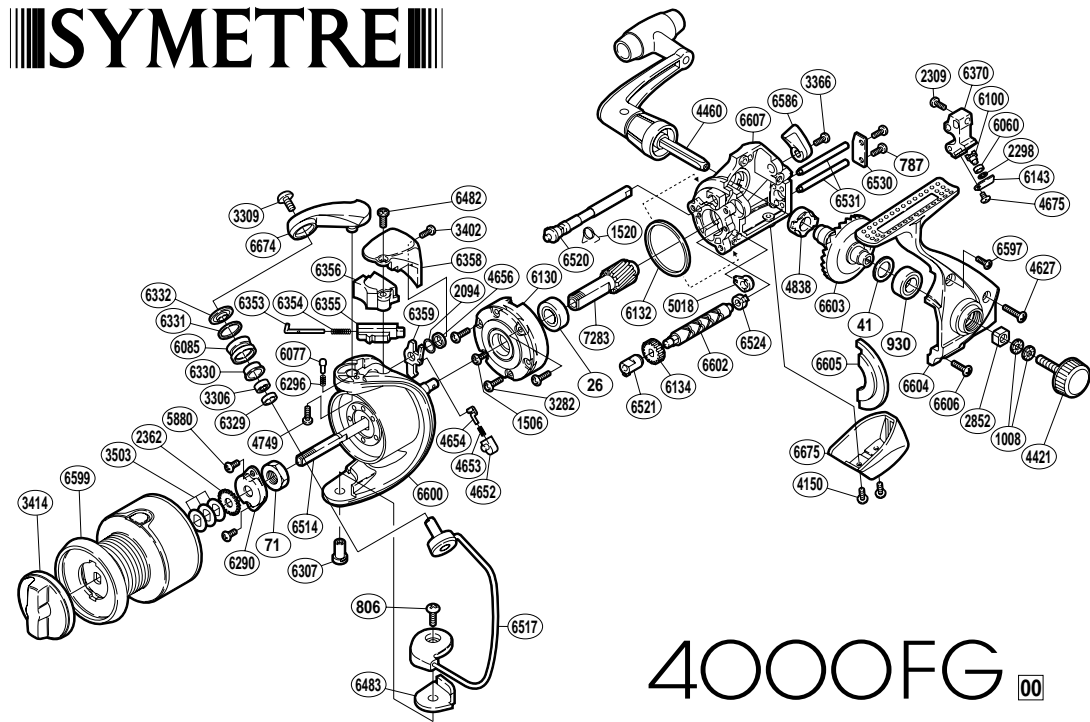


SYMETRE



4000FG 00

RD No.	PARTS NAMES	RD No.	PARTS NAMES	RD No.	PARTS NAMES
0026	Ball Bearing	4653	Lever Spring	6356	Bail Spring Cover
0041	Drive Gear Washer	4654	Lever Spring Guide (A)	6358	Rotor Protector
0071	Rotor Nut	4656	Trip Lever Spacer	6359	Bail Trip Lever
0787	Worm Shaft Retainer Screw	4675	Oscillating Pawl Cover Screw	6370	Oscillating Slider
0806	Bail Hold Support Screw	4749	Bail Arm Screw	6482	Protector Screw (large)
0930	Ball Bearing	4838	Drive Gear Bushing	6483	Bail Hold Support Spacer
1008	Handle Lock Washer	5018	Bushing	6514	Main Shaft
1506	Clutch Cover Screw	5880	Nut Lock Screw	6517	Bail Assembly
1520	Anti-Reverse Cam Spring	6060	Oscillating Slider Bushing	6520	Anti-Reverse Cam
2094	Spacer	6077	Click Pin	6521	Worm Bushing (front)
2298	Spacer	6085	Line Roller	6524	Worm Bushing (rear)
2309	Slider Retainer Screw	6100	Oscillating Pawl	6530	Worm Shaft Retainer
2362	Spool Support	6130	Roller Clutch Assembly	6531	Oscillating Guide
2852	Handle Screw Lock	6132	Friction Ring	6586	Anti-Reverse Lever
3282	Roller Clutch Screw	6134	Idle Gear	6597	Side Cover Screw (small)
3306	Ball Bearing	6143	Oscillating Pawl Cover	6599	Spool Assembly
3309	Line Roller Screw	6290	Rotor Nut Lock Plate	6600	Rotor
3366	Anti-Reverse Lever Screw	6296	Click Spring	6602	Worm Shaft
3402	Protector Screw (small)	6307	Bail Hold Support Shaft	6603	Drive Gear
3414	Drag Knob	6329	Bearing Spacer	6604	Side Cover
3503	Spool Washer	6330	Line Roller Bushing	6605	Side Cover Flange
4150	Rear Protector Screw	6331	Line Roller Spacer	6606	Side Cover Screw (medium)
4421	Handle Screw Cap	6332	Line Roller Washer	6607	Body
4460	Handle Assembly	6353	Bail Spring Guide (A)	6674	Bail Arm
4627	Side Cover Screw (long)	6354	Bail Spring	6675	Rear Protector
4652	Lever Spring Guide (B)	6355	Bail Spring Guide (B)	7283	Pinion Gear

(121109)