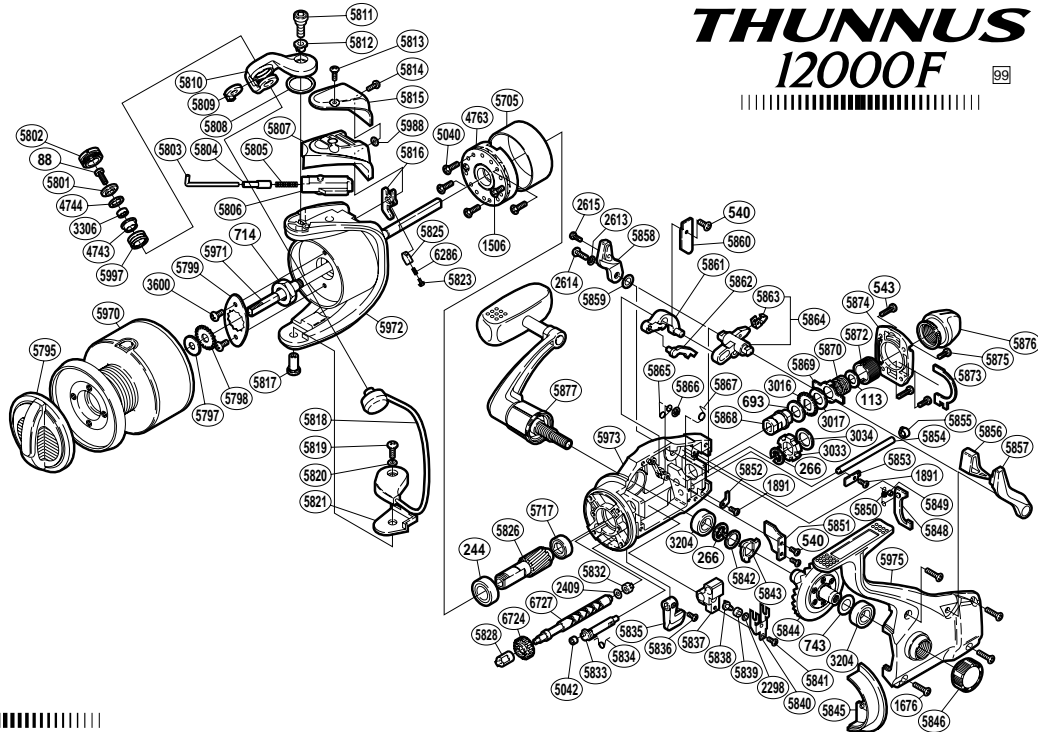


# THUNNUS 12000F

99



RD No.	PARTS NAMES	RD No.	PARTS NAMES	RD No.	PARTS NAMES
0088	Line Roller Screw	5804	Spring Guide (A) Support	5849	Spring Retainer
0113	Tension Spring Washer (B)	5805	Bail Spring	5850	BaitRunner Pawl Spring
0244	Ball Bearing	5806	Bail Spring Guide (B)	5851	Worm Shaft Retainer
0266	"C" Lock	5807	Bail Spring Cover	5852	Dial Click
0540	Multi-Purpose Screw (A)	5808	Bail Arm Washer	5853	BaitRunner Pawl Guide
0543	Rear Protector Screw (long)	5809	Line Roller Support Collar	5854	Oscillating Guide
0693	Free Spool Tension Washer (cloth)	5810	Bail Arm	5855	Oscillating Guide Holder
0714	Rotor Nut	5811	Bail Arm Screw	5856	BaitRunner Lever Bridge
0743	Drive Gear Washer	5812	Bail Arm Screw Collar	5857	BaitRunner Lever Arm (L)
1506	Roller Clutch Cover Screw	5813	Guard Screw (A)	5858	BaitRunner Lever Arm (R)
1676	Side Cover Screw	5814	Guard Screw (B)	5859	BaitRunner Lever Spacer
1891	Multi-Purpose Screw (B)	5815	Bail Spring Cover Guard	5860	Clutch Pawl Guard
2298	Spacer	5816	Bail Trip Lever	5861	Clutch Lever
2409	Worm Shaft Spacer	5817	Bail Hold Support Shaft	5862	Clutch Pawl
2613	Lock Washer	5818	Bail Assembly	5863	Clutch Arm Cover
2614	Clutch Arm Screw	5819	Bail Hold Support Screw	5864	Clutch Arm
2615	BaitRunner Lever Screw	5820	Spacer	5865	Clutch Pawl Spring
3016	Click Gear	5821	Bail Hold Support Spacer	5866	Push Nut (SPN-2)
3017	Free Spool Tension Washer (B)	5823	Lever Spring Guide (A)	5867	Clutch Spring
3033	BaitRunner Ratchet	5825	Lever Spring Guide (B)	5868	Free Spool Tension Shaft
3034	Ratchet Spacer	5826	Pinion Gear	5869	Eared Washer
3204	Ball Bearing	5828	Worm Bushing (front)	5870	Free Spool Tension Spring
3306	Line Roller Bearing	5832	Worm Bushing (rear)	5872	Free Spool Tension Screw
3600	Nut Lock Screw	5833	Anti-Reverse Cam	5873	Dial Retainer
4743	Line Roller Bushing	5834	Anti-Reverse Cam Spring	5874	Rear Protector
4744	Roller Bearing Seal	5835	Anti-Reverse Lever	5875	Rear Protector Screw (short)
4763	Roller Clutch Assembly	5836	Anti-Reverse Lever Screw	5876	BaitRunner Tension Dial
5040	Roller Clutch Screw	5837	Oscillating Slider	5877	Handle Assembly
5042	Anti-Reverse Cam Ring	5838	Oscillating Pawl	5970	Spool Assembly
5705	Roller Clutch Ring	5839	Oscillating Slider Bushing	5971	Main Shaft
5717	Ball Bearing	5840	Oscillating Slider Retainer	5972	Rotor
5795	Drag Knob	5841	Slider Retainer Screw	5973	Body
5797	Spool Washer	5842	Drive Gear Ratchet Spacer	5975	Side Cover
5798	Spool Support	5843	Drive Gear Ratchet	5988	Spacer
5799	Rotor Nut Retainer	5844	Drive Gear	5997	Line Roller
5801	Line Roller Washer	5845	Side Cover Flange	6286	Bail Trip Lever Spring
5802	Line Roller Screw Cap	5846	Handle Screw Cap	6724	Idle Gear (B)
5803	Bail Spring Guide (A)	5848	BaitRunner Pawl	6727	Worm Shaft (B)

(110805)