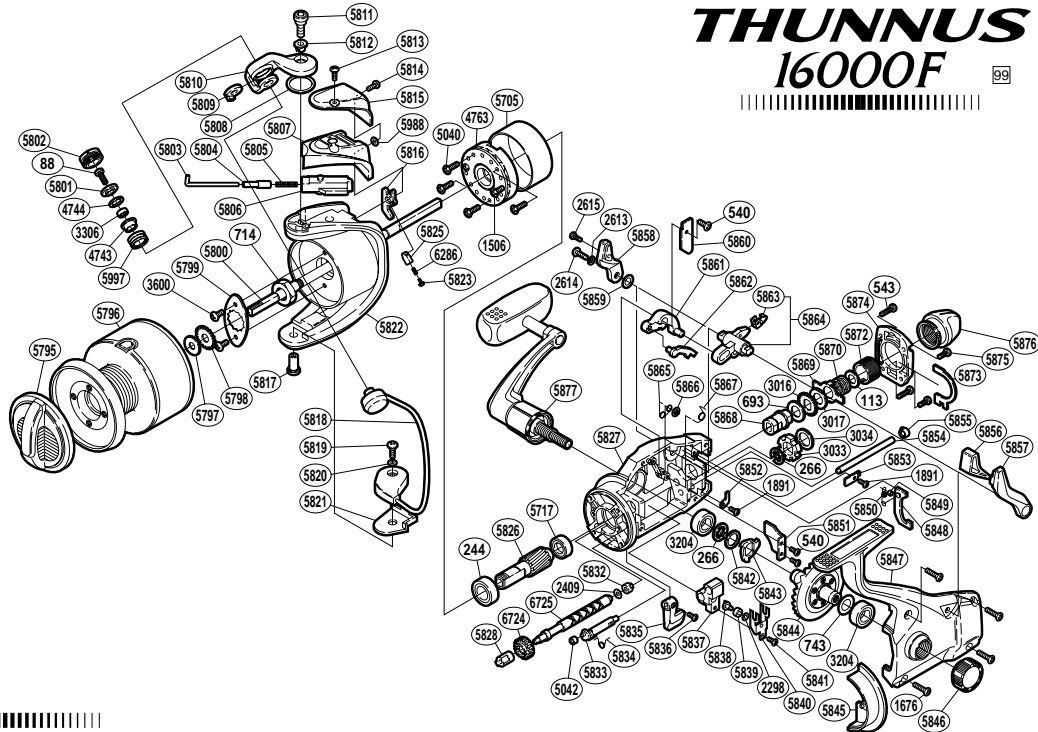


THUNNUS 16000F

99



RD No.	PARTS NAMES	RD No.	PARTS NAMES	RD No.	PARTS NAMES
0088	Line Roller Screw	5802	Line Roller Screw Cap	5844	Drive Gear
0113	Tension Spring Washer (B)	5803	Bail Spring Guide (A)	5845	Side Cover Flange
0244	Ball Bearing	5804	Spring Guide (A) Support	5846	Handle Screw Cap
0266	"C" Lock	5805	Bail Spring	5847	Side Cover
0540	Multi-Purpose Screw (A)	5806	Bail Spring Guide (B)	5848	BaitRunner Pawl
0543	Rear Protector Screw (long)	5807	Bail Spring Cover	5849	Spring Retainer
0693	Free Spool Tension Washer (cloth)	5808	Bail Arm Washer	5850	BaitRunner Pawl Spring
0714	Rotor Nut	5809	Line Roller Support Collar	5851	Worm Shaft Retainer
0743	Drive Gear Washer	5810	Bail Arm	5852	Dial Click
1506	Roller Clutch Cover Screw	5811	Bail Arm Screw	5853	BaitRunner Pawl Guide
1676	Side Cover Screw	5812	Bail Arm Screw Collar	5854	Oscillating Guide
1891	Multi-Purpose Screw (B)	5813	Guard Screw (A)	5855	Oscillating Guide Holder
2298	Spacer	5814	Guard Screw (B)	5856	BaitRunner Lever Bridge
2409	Worm Shaft Spacer	5815	Bail Spring Cover Guard	5857	BaitRunner Lever Arm (L)
2613	Lock Washer	5816	Bail Trip Lever	5858	BaitRunner Lever Arm (R)
2614	Clutch Arm Screw	5817	Bail Hold Support Shaft	5859	BaitRunner Lever Spacer
2615	BaitRunner Lever Screw	5818	Bail Assembly	5860	Clutch Pawl Guard
3016	Click Gear	5819	Bail Hold Support Screw	5861	Clutch Lever
3017	Free Spool Tension Washer (B)	5820	Spacer	5862	Clutch Pawl
3033	BaitRunner Ratchet	5821	Bail Hold Support Spacer	5863	Clutch Arm Cover
3034	Ratchet Spacer	5822	Rotor	5864	Clutch Arm
3204	Ball Bearing	5823	Lever Spring Guide (A)	5865	Clutch Pawl Spring
3306	Line Roller Bearing	5825	Lever Spring Guide (B)	5866	Push Nut (SPN-2)
3600	Nut Lock Screw	5826	Pinion Gear	5867	Clutch Spring
4743	Line Roller Bushing	5827	Body	5868	Free Spool Tension Shaft
4744	Roller Bearing Seal	5828	Worm Bushing (front)	5869	Eared Washer
4763	Roller Clutch Assembly	5828	Worm Bushing (rear)	5870	Free Spool Tension Spring
5040	Roller Clutch Screw	5833	Anti-Reverse Cam	5872	Free Spool Tension Screw
5042	Anti-Reverse Cam Ring	5834	Anti-Reverse Cam Spring	5873	Dial Retainer
5705	Roller Clutch Ring	5835	Anti-Reverse Lever	5874	Rear Protector
5717	Ball Bearing	5836	Anti-Reverse Lever Screw	5875	Rear Protector Screw (short)
5795	Drag Knob	5837	Oscillating Slider	5876	BaitRunner Tension Dial
5796	Spool Assembly	5838	Oscillating Pawl	5877	Handle Assembly
5797	Spool Washer	5839	Oscillating Slider Bushing	5988	Spacer
5798	Spool Support	5840	Oscillating Slider Retainer	5997	Line Roller
5799	Rotor Nut Retainer	5841	Slider Retainer Screw	6286	Bail Trip Lever Spring
5800	Main Shaft	5842	Drive Gear Ratchet Spacer	6724	Idle Gear (B)
5801	Line Roller Washer	5843	Drive Gear Ratchet	6725	Worm Shaft (B)

(110805)