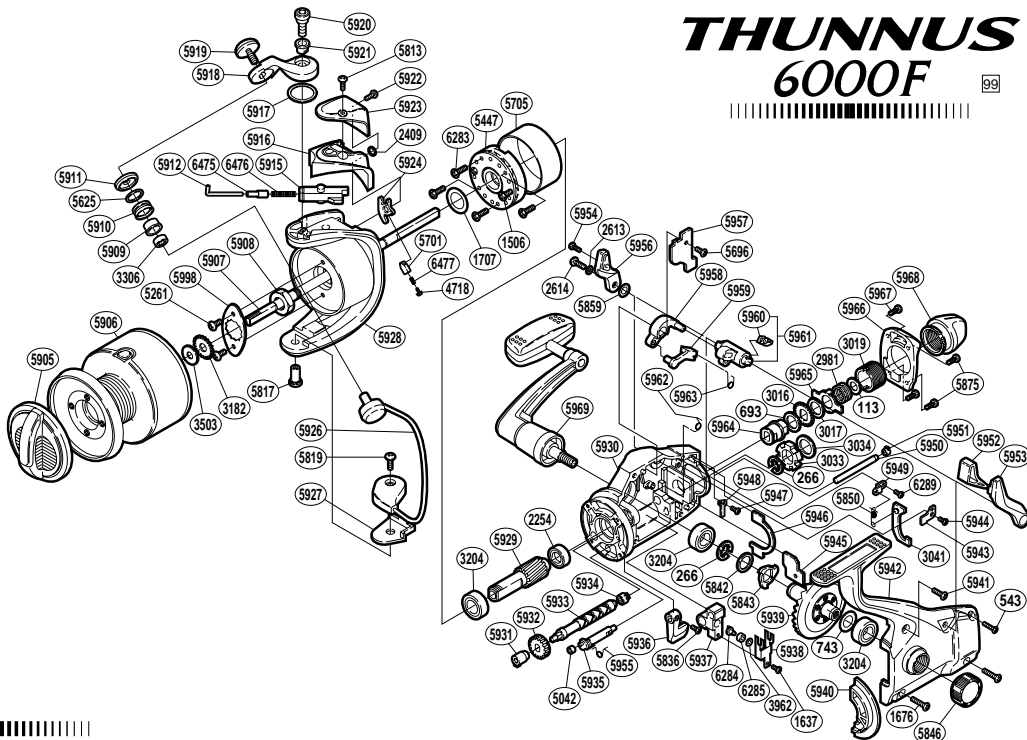


THUNNUS 6000F

99



RD No.	PARTS NAMES	RD No.	PARTS NAMES	RD No.	PARTS NAMES
0113	Tension Spring Washer	5843	Drive Gear Ratchet	5941	Side Cover Screw (C)
0266	"C" Lock	5846	Handle Screw Cap	5942	Side Cover
0543	Side Cover Screw (B)	5850	BaitRunner Pawl Spring	5943	BaitRunner Pawl Guide
0693	Free Spool Tension Washer (cloth)	5859	BaitRunner Lever Spacer	5944	BaitRunner Pawl Guide Screw
0743	Drive Gear Washer	5875	Rear Protector Screw (A)	5945	Worm Shaft Retainer
1506	Roller Clutch Cover Screw	5905	Drag Knob	5946	Dial Retainer
1637	Slider Retainer Screw	5906	Spool Assembly	5947	Dial Click Screw
1676	Side Cover Screw (A)	5907	Main Shaft	5948	Dial Click
1707	Bushing Washer	5908	Rotor Nut	5949	Spring Retainer
2254	Ball Bearing	5909	Line Roller Bushing	5950	Oscillating Guide
2409	Spacer	5910	Line Roller	5951	Oscillating Guide Holder
2613	Lock Washer	5911	Line Roller Washer	5952	BaitRunner Lever Bridge
2614	Clutch Arm Screw	5912	Bail Spring Guide (A)	5953	BaitRunner Lever Arm (L)
2981	Free Spool Tension Spring	5915	Bail Spring Guide (B)	5954	BaitRunner Lever Screw
3016	Click Gear	5916	Bail Spring Cover	5955	Anti-Reverse Cam Spring
3017	Free Spool Tension Washer (B)	5917	Bail Arm Washer	5956	BaitRunner Lever Arm (R)
3019	Free Spool Tension Screw	5918	Bail Arm	5957	Clutch Pawl Guard
3033	BaitRunner Ratchet	5919	Line Roller Screw	5958	Clutch Lever
3034	Ratchet Spacer	5920	Bail Arm Screw	5959	Clutch Pawl
3041	BaitRunner Pawl	5921	Bail Arm Screw Collar	5960	Clutch Arm Cover
3182	Spool Support	5922	Guard Screw (B)	5961	Clutch Arm
3204	Ball Bearing	5923	Bail Spring Cover Guard	5962	Clutch Spring
3306	Line Roller Bearing	5924	Bail Trip Lever	5963	Clutch Pawl Spring
3503	Spool Washer	5926	Bail Assembly	5964	Free Spool Tension Shaft
3962	Spacer	5927	Bail Hold Support Spacer	5965	Eared Washer
4718	Lever Spring Guide (A)	5928	Rotor	5966	Rear Protector
5042	Anti-Reverse Cam Ring	5929	Pinion Gear	5967	Rear Protector Screw (B)
5261	Nut Lock Screw	5930	Body	5968	BaitRunner Tension Dial
5447	Roller Clutch Assembly	5931	Worm Bushing (front)	5969	Handle Assembly
5625	Line Roller Spacer	5932	Idle Gear	5998	Rotor Nut Retainer
5696	Clutch Pawl Guard Screw	5933	Worm Shaft	6283	Roller Clutch Screw
5701	Lever Spring Guide (B)	5934	Worm Bushing (rear)	6284	Oscillating Pawl
5705	Roller Clutch Ring	5935	Anti-Reverse Cam	6285	Oscillating Slider Bushing
5813	Guard Screw (A)	5936	Anti-Reverse Lever	6289	Spring Retainer Screw
5817	Bail Hold Support Shaft	5937	Oscillating Slider	6475	Spring Guide (A) Support
5819	Bail Hold Support Screw	5938	Oscillating Slider Retainer	6476	Bail Spring
5836	Anti-Reverse Lever Screw	5939	Drive Gear	6477	Bail Trip Lever Spring
5842	Drive Gear Ratchet Spacer	5940	Side Cover Flange		

(110805)