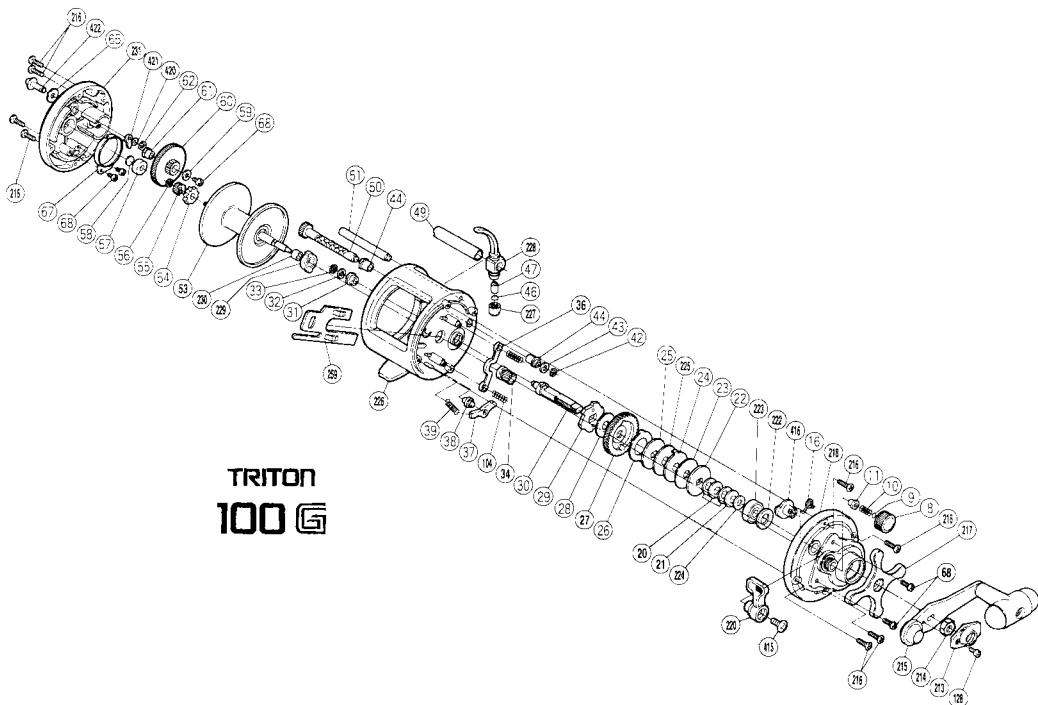


TRITON 100



TGT No.	PARTS NAMES	TGT No.	PARTS NAMES	TGT No.	PARTS NAMES
0008	Cast Control Cap	0042	Worm Shaft Retainer	0214	Handle Nut
0009	Spacer "A"	0043	Worm Shaft Holder Washer	0215	Handle Assembly
0010	Spool Tension Spring	0044	Worm Bearing	0216	Side Plate Screw
0011	Spool Shaft Bushing "A"	0046	Spacer	0217	Star Drag
0016	Clutch Spring	0047	Line Guide Pawl	0218	Right Side Plate
0020	Drag Spring Washer "H"	0049	Level Wind Guard	0220	Clutch Lever
0021	Drag Spring Washer "G"	0050	Worm Shaft	0222	Bearing Spacer (A)
0022	Key Washer "F"	0051	Stabilizer Bar	0223	Ball Bearing
0023	Drag Washer "D"	0053	Spool	0224	Bearing Spacer (B)
0024	Eared Washer "E"	0054	Click Gear	0225	Drag Washer "I"
0025	Key Washer "C"	0055	Idle Gear "A"	0226	Frame
0026	Eared Washer "B"	0056	Idle Gear "A" Retainer	0227	Pawl Cap
0027	Drive Gear	0057	Spool Shaft Bushing "B"	0228	Line Guide
0028	Drive Shaft Washer	0058	Spacer "B"	0229	Spool Shaft Bushing "C"
0029	Anti-Reverse Ratchet	0059	Lock Washer	0230	Spool Shaft Spacer
0030	Drive Shaft	0060	Idle Gear "B"	0231	Left Side Plate
0031	Drive Shaft Bushing	0061	Idle Gear "B" Bushing	0259	Yoke Plate
0032	Spacer	0062	Click Pawl Retainer	0415	Clutch Lever Screw
0033	Drive Shaft Retainer	0065	Spacer A	0416	Clutch Cam
0034	Pinion Gear	0067	Click Spring	0420	Spacer B
0036	Yoke	0068	Multipurpose Screw	0421	Click Pawl
0037	Anti-Reverse Pawl	0104	Yoke Spring	0422	Click Button
0038	Pawl Supporter	0128	Handle Nut Plate Screw		
0039	Anti-Reverse Pawl Spring	0213	Handle Nut Plate		