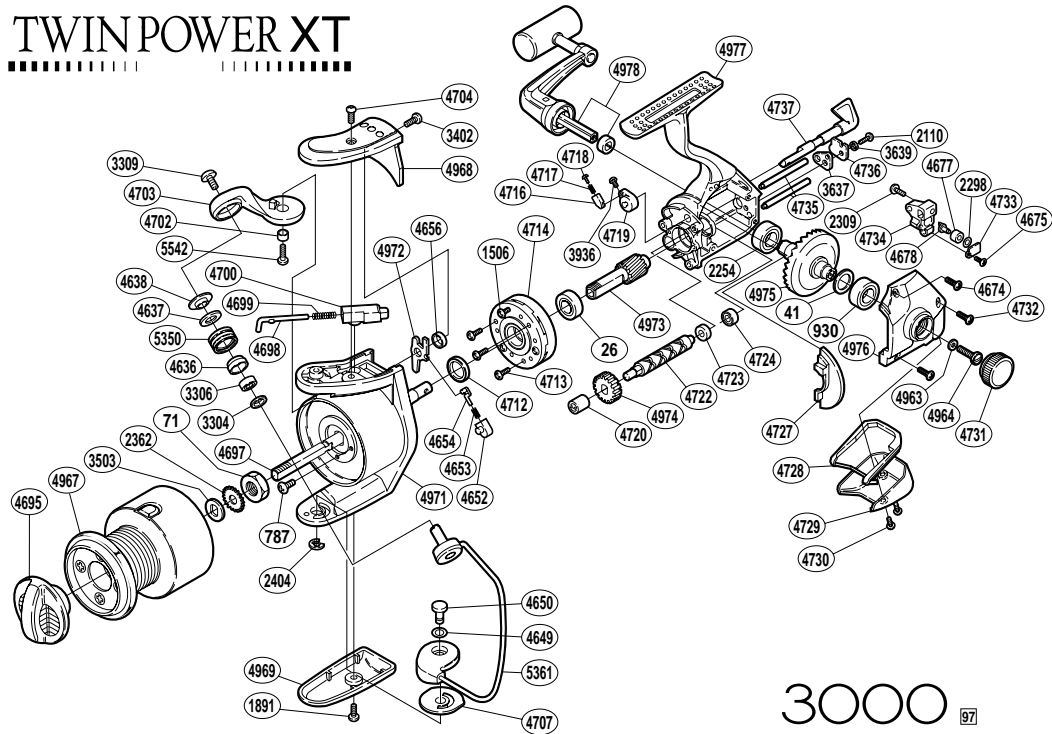


TWIN POWER XT



RD No.	PARTS NAMES	RD No.	PARTS NAMES	RD No.	PARTS NAMES
0026	Ball Bearing	4653	Lever Spring	4727	Side Cover Flange
0041	Drive Gear Washer	4654	Lever Spring Guide (A)	4728	Rear Shield
0071	Rotor Nut	4656	Trip Lever Spacer	4729	Rear Protector
0787	Nut Lock Screw	4674	Side Cover Screw (short)	4730	Rear Protector Screw
0930	Ball Bearing	4675	Oscillating Pawl Cover Screw	4731	Handle Screw Cap
1506	Clutch Cover Screw	4677	Oscillating Slider Bushing	4732	Side Cover Screw (long)
1891	Guard Screw	4678	Oscillating Pawl	4733	Oscillating Pawl Cover
2110	Worm Shaft Retainer Screw	4695	Drag Knob	4734	Oscillating Slider
2254	Ball Bearing	4697	Main Shaft	4735	Oscillating Guide
2298	Spacer	4698	Bail Spring Guide (A)	4736	Worm Shaft Retainer
2309	Slider Retainer Screw	4699	Bail Spring	4737	Anti-Reverse Lever
2362	Spool Support	4700	Bail Spring Guide (B)	4963	Handle Lock Washer
2404	"E" Lock	4702	Bail Arm Bushing	4964	Handle Lock Screw
3304	Bearing Spacer	4703	Bail Arm	4967	Spool Assembly
3306	Line Roller Bearing	4704	Bail Spring Cover Screw (large)	4968	Bail Spring Cover
3309	Line Roller Screw	4707	Bail Hold Support Spacer	4969	Bail Hold Support Guard
3402	Bail Spring Cover Screw (small)	4712	Rotor Spacer	4971	Rotor
3503	Spool Washer	4713	Roller Clutch Screw	4972	Bail Trip Lever
3637	Worm Shaft Retainer Washer	4714	Roller Clutch Assembly	4973	Pinion Gear
3639	Worm Shaft Retainer Spacer	4716	Lever Spring Guide (B)	4974	Idle Gear
3936	Anti-Reverse Cam Screw	4717	Lever Spring	4975	Drive Gear
4636	Line Roller Bushing	4718	Lever Spring Guide (A)	4976	Side Cover
4637	Line Roller Spacer	4719	Anti-Reverse Cam	4977	Body
4638	Line Roller Washer	4720	Worm Bushing (front)	4978	Handle Assembly
4649	Spacer	4722	Worm Shaft	5350	Line Roller
4650	Bail Hold Support Shaft	4723	Worm Bushing (rear)	5361	Bail Assembly
4652	Lever Spring Guide (B)	4724	Ball Bearing	5542	Bail Arm Screw

3000 97

(080913)