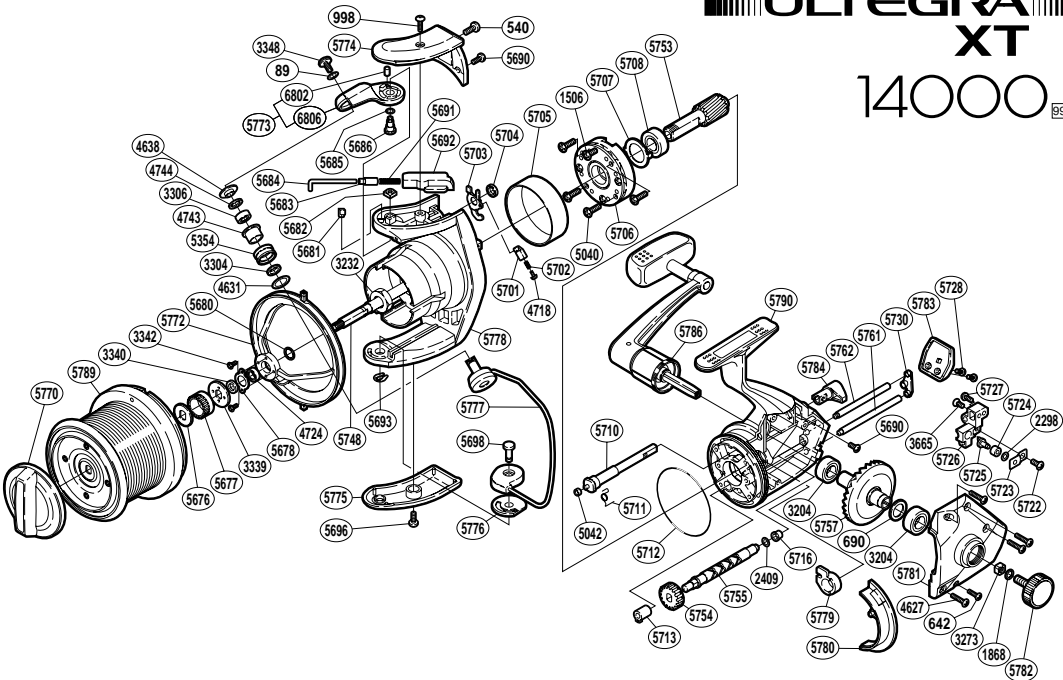


ULTEGRA XT 14000 99



RD No.	PARTS NAMES	RD No.	PARTS NAMES	RD No.	PARTS NAMES
0089	Lock Washer	5678	Bearing Retainer	5726	Oscillating Slider
0540	Bail Spring Cover Screw (medium)	5680	Line Safety Guard Spacer (B)	5727	Slider Retainer Screw (B)
0642	Side Cover Screw (small)	5681	Angle Controller	5728	Rear Protector Screw
0690	Drive Gear Washer	5682	Bail Arm Nut	5730	Worm Shaft Retainer Washer
0998	Bail Spring Cover Screw (long)	5683	Spring Guide (A) Support	5748	Main Shaft
1506	Clutch Cover Screw	5684	Bail Spring Guide (A)	5753	Pinion Gear
1868	Handle Lock Washer	5685	Spacer	5754	Idle Gear
2298	Spacer	5686	Bail Arm Shaft	5755	Worm Shaft
2409	Worm Shaft Spacer	5690	Multi-Purpose Screw	5757	Drive Gear
3204	Ball Bearing	5691	Bail Spring	5761	Oscillating Guide (long)
3232	Rotor Nut	5692	Bail Spring Guide (B)	5762	Oscillating Guide (short)
3273	Handle Screw Lock	5693	"U" Lock	5770	Drag Knob
3304	Bearing Spacer	5696	Guard Screw	5772	Line Safety Guard
3306	Line Roller Bearing	5698	Bail Hold Support Shaft	5773	Bail Arm
3339	Spool Support (B)	5701	Lever Spring Guide (B)	5774	Bail Spring Cover
3340	Line Safety Guard Spacer (A)	5702	Lever Spring	5775	Bail Hold Support Guard
3342	Bearing Retainer Screw	5703	Bail Trip Lever	5776	Bail Hold Support Spacer
3348	Line Roller Screw	5704	Trip Lever Spacer	5777	Bail Assembly
3665	Slider Retainer Screw (A)	5705	Roller Clutch Ring	5778	Rotor
4627	Side Cover Screw (large)	5706	Roller Clutch Assembly	5779	Bushing
4631	Spacer	5707	Bearing Washer	5780	Side Cover Flange
4638	Line Roller Washer	5708	Ball Bearing	5781	Side Cover
4718	Lever Spring Guide (A)	5710	Anti-Reverse Cam	5782	Handle Screw Cap
4724	Ball Bearing	5711	Anti-Reverse Cam Spring	5783	Rear Protector
4743	Line Roller Bushing	5712	"O" Ring (large)	5784	Anti-Reverse Lever
4744	Roller Bearing Seal	5713	Worm Bushing (front)	5786	Handle Assembly
5040	Roller Clutch Screw	5716	Worm Bushing (rear)	5789	Spool Assembly
5042	Anti-Reverse Cam Ring	5722	Oscillating Pawl Cover Screw	5790	Body
5354	Line Roller	5723	Oscillating Pawl Cover	6802	Bail Arm Bushing
5676	Spool Washer	5724	Oscillating Slider Bushing	6806	Bail Arm
5677	Spool Support (A)	5725	Oscillating Pawl		