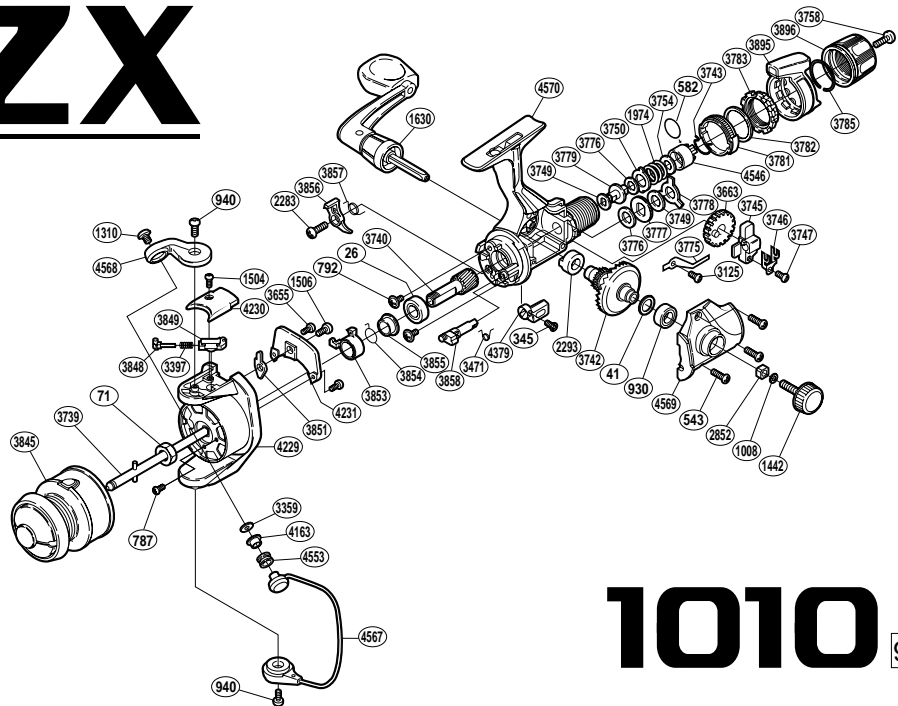


ZX



1010

96

RD No.	PARTS NAMES	RD No.	PARTS NAMES	RD No.	PARTS NAMES
0026	Ball Bearing	3471	Anti-Reverse Cam Spring	3845	Spool Assembly (S-1)
0041	Drive Gear Washer	3655	Cover Screw	3848	Bail Spring Guide (A)
0071	Rotor Nut	3663	Oscillating Gear	3849	Bail Spring Guide (B)
0345	Anti-Reverse Lever Screw	3739	Main Shaft	3851	Bail Trip Lever
0543	Side Cover Screw	3740	Pinion Gear	3853	Anti-Reverse Lock Out
0582	"O" Ring	3742	Drive Gear	3854	Anti-Reverse Lock Out Spring
0787	Nut Lock Screw	3743	Hold Click Spring	3855	Lock Out Spring Holder
0792	Bearing Retainer Screw	3745	Oscillating Slider	3856	Anti-Reverse Pawl
0930	Ball Bearing	3746	Oscillating Slider Retainer	3857	Anti-Reverse Pawl Spring
0940	Multi-Purpose Screw	3747	Slider Retainer Screw	3858	Anti-Reverse Cam
1008	Handle Lock Washer	3749	Drag Washer "C" (white)	3895	Fightin' Drag Lever
1310	Line Roller Screw	3750	Eared Washer "B"	3896	Drag Programmer
1442	Handle Screw Cap	3754	Drag Spring Washer	4163	Line Roller Bushing
1504	Bail Spring Cover Screw	3758	Drag Programmer Screw	4229	Rotor
1506	Bail Trip Lever Screw	3775	Drag Click	4230	Bail Spring Cover
1630	Handle Assembly	3776	Drag Washer "C" (cloth)	4231	Counterbalance Cover
1974	Drag Coil Spring	3777	Click Gear	4379	Anti-Reverse Lever
2283	Anti-Reverse Pawl Screw	3778	Eared Washer "Br"	4546	Pressure Screw
2293	Drive Gear Bushing	3779	Drag Shaft	4553	Line Roller
2852	Handle Screw Lock	3781	Lever Click Gear	4567	Bail Assembly
3125	Drag Click Screw	3782	Fightin' Pressure Screw Washer	4568	Bail Arm
3359	Line Roller Washer	3783	Fightin' Pressure Screw	4569	Side Cover
3397	Bail Spring	3785	Lever Hold Spring	4570	Body