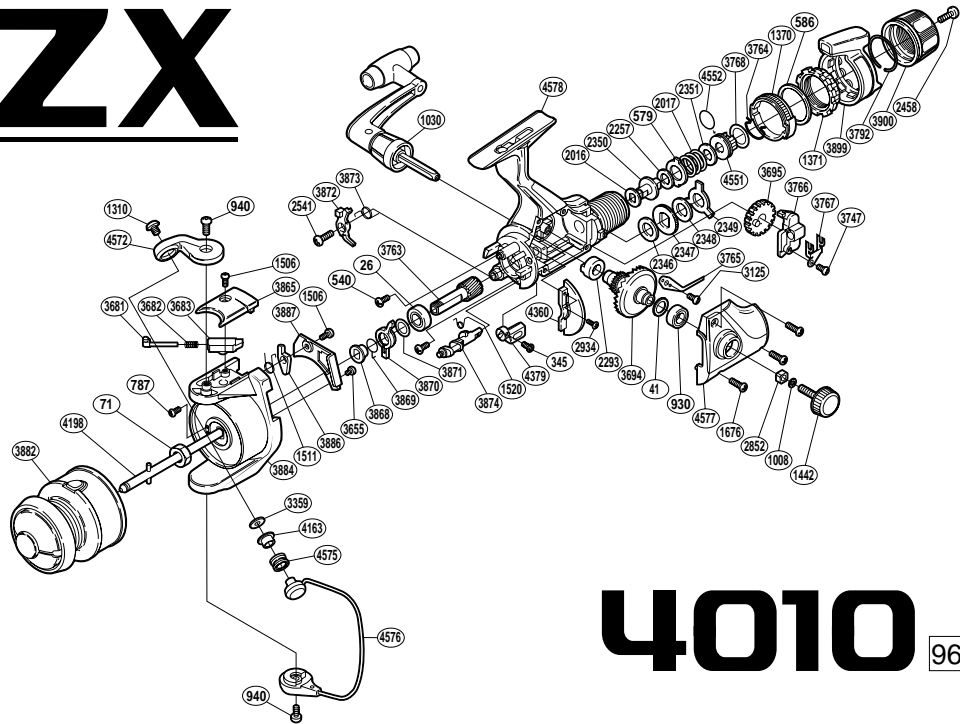


# ZX



# 4010

96

RD No.	PARTS NAMES	RD No.	PARTS NAMES	RD No.	PARTS NAMES
0026	Ball Bearing	2347	Click Gear	3865	Bail Spring Cover
0041	Drive Gear Washer	2348	Drag Washer "C" (blue)	3868	Lock Out Spring Holder
0071	Rotor Nut	2349	Eared Washer "Br"	3869	Anti-Reverse Lock Out Spring
0345	Anti-Reverse Lever Screw	2350	Drag Shaft	3870	Anti-Reverse Lock Out
0540	Bearing Retainer Screw	2351	Drag Spring Washer	3871	Bushing Washer
0579	Eared Washer "B"	2458	Drag Programmer Screw	3872	Anti-Reverse Pawl
0586	Fightin' Pressure Screw Washer	2541	Anti-Reverse Pawl Screw	3873	Anti-Reverse Pawl Spring
0787	Nut Lock Screw	2852	Handle Screw Lock	3874	Anti-Reverse Cam
0930	Ball Bearing	2934	Flange Screw	3882	Spool Assembly
0940	Multi-Purpose Screw	3125	Drag Click Screw	3884	Rotor
1008	Handle Lock Washer	3359	Line Roller Washer	3886	Bail Trip Lever
1030	Handle Assembly	3655	Cover Screw	3887	Counterbalance Cover
1310	Line Roller Screw	3681	Bail Spring Guide (A)	3899	Fightin' Drag Lever
1370	Lever Click Gear	3682	Bail Spring	3900	Drag Programmer
1371	Fightin' Pressure Screw	3683	Bail Spring Guide (B)	4163	Line Roller Bushing
1442	Handle Screw Cap	3694	Drive Gear	4198	Main Shaft
1506	Multi-Purpose Screw	3695	Oscillating Gear	4360	Side Cover Flange
1511	Lever Spring	3747	Slider Retainer Screw	4379	Anti-Reverse Lever
1520	Anti-Reverse Cam Spring	3763	Pinion Gear	4551	Pressure Screw
1676	Side Cover Screw	3764	Hold Click Spring	4552	"O" Ring
2016	Drag Washer "H" (cloth)	3765	Drag Click	4572	Bail Arm
2017	Drag Coil Spring	3766	Oscillating Slider	4575	Line Roller
2257	Drag Washer "H" (blue)	3767	Oscillating Slider Retainer	4576	Bail Assembly
2293	Drive Gear Bushing	3768	Drag Programmer Spacer	4577	Side Cover
2346	Drag Washer "C" (cloth)	3792	Lever Hold Spring	4578	Body